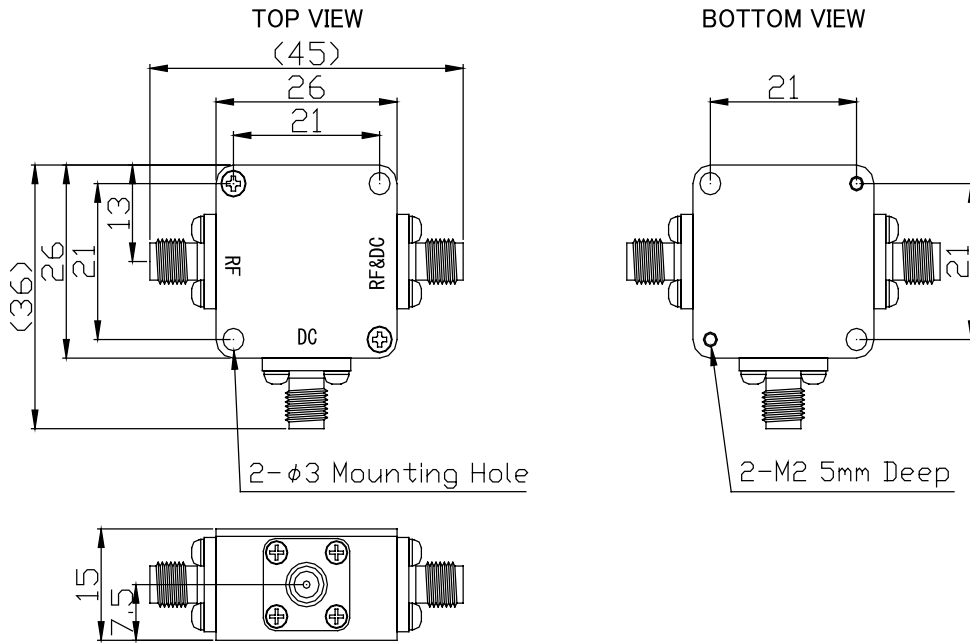
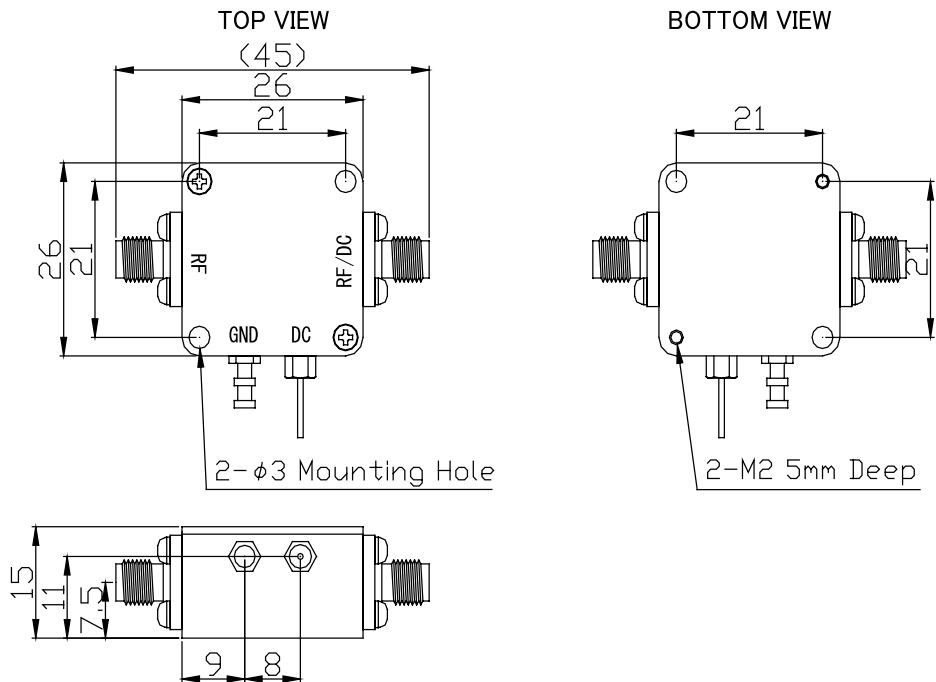


OUTLINE DRAWINGS for The BT Series

BT010-0S ~ BT030-0S (Standard / SMA-FEMALE)



BT010-0F ~ BT030-0F (Option / EMI-Filter)



※IN MILLIMETERS

R&K reserves the right to make changes in the specifications of or discontinue products at any time without notice. R&K products shall not be used for or in connection with equipment that requires an extremely high level of reliability and safety such as aerospace uses or medical life support equipment. Further, R&K cannot export products to any country for use in military or defense applications.

R&K Company Limited

721-1 Maeda, Fuji-City, Shizuoka-Pref. 416-8577 Japan
 Tel: +81-545-31-2600 E-mail: info@rkco.jp
 Fax: +81-545-31-1600 URL: <http://rk-microwave.com>