

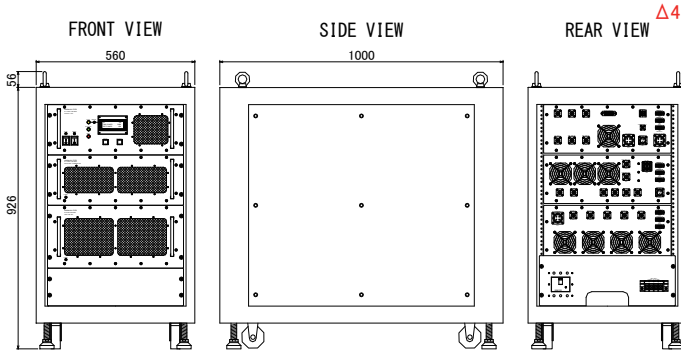
# RF POWER AMPLIFIER



## R&K-A080M102-5757R



OUTLINE DRAWING ※IN MILLIMETERS



- Class A Linear Solid-State Amplifier
- Broadband Frequency: 80MHz~1000MHz
- Output Power (CW) : 500W (min.) @1dB Comp.
- Building-block Construction Design

### APPLICATION

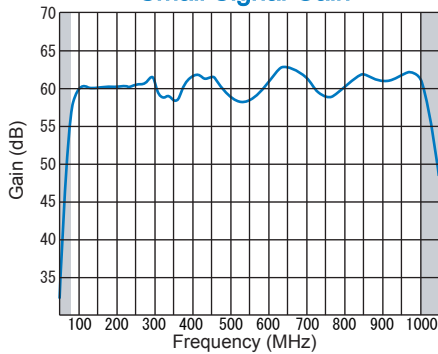
- EMC (Electromagnetic Compatibility)
- Accelerator Application
- Telecommunication Test and Measurement Application
- Etc...

### SPECIFICATIONS @ +25°C

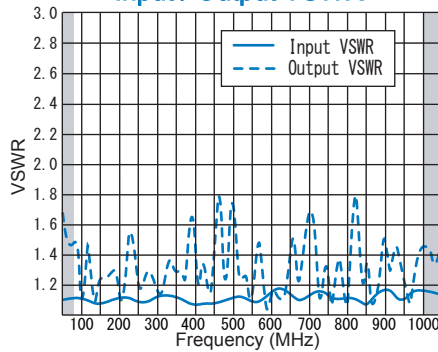
Frequency Range	: 80MHz ~ 1000MHz
Small Signal Gain	: +57.0dB (min.)
Gain Flatness	: ±3.0dB (max.)
Output Power (CW)	: 500W (min.) @1dB Comp.
	: 600W (min.) @3dB Comp. $\Delta 2$
Operation Mode	: Class A
Output I.C.P.	: +67.0dBm (typ.)
Harmonics	: -20.0dBc (max.) @Po=500W
Spurious	: -70.0dBc (max.) @Po=500W
Impedance	: 50Ω
Input VSWR	: 2.0 (max.)
Output VSWR	: 3.0 (max.)
Maximum RF Input Power	: +3.0dBm
AC Supply Input	: AC200V ± 15% / 3φ, 50/60Hz, 7.6kVA $\Delta 1 \Delta 3$
Operating Temperature	: 0°C to +35°C
Storage Temperature	: -15°C to +65°C
Connectors	: RF-IN N-FEMALE @REAR PANEL RF-OUT 7/16-FEMALE @REAR PANEL
Size	: (W)560mm × (D)1000mm × (H)926mm (Excluding Projection)
Weight	: 250.0kg (max.)
Cooling	: Forced Air Cooling
Protection Circuits	: Over Temperature Protection Power Supply Voltage Protection Output Over Power Protection Output Over Reflection Power Protection
Other Functions	: R&K Multi Monitoring System GP-IB (IEEE-488) Safety Interlock (EMERGENCY)

### TYPICAL PERFORMANCE (Temp @+25°C)

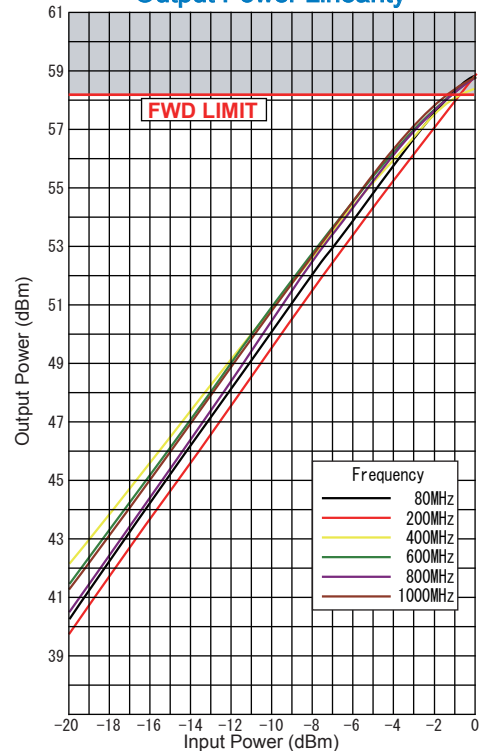
Small Signal Gain



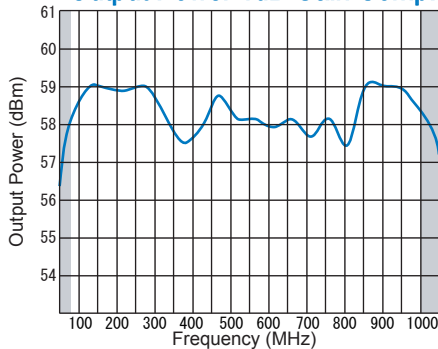
Input / Output VSWR



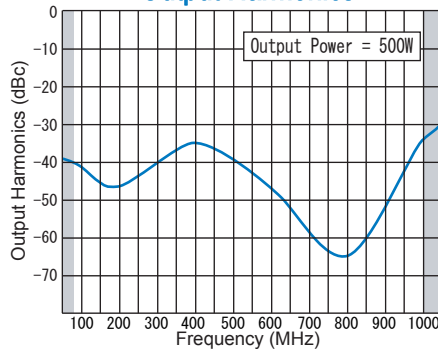
Output Power Linearity



Output Power 1dB Gain Comp.



Output Harmonics



\* CHANGE  $\Delta 1$  Mar./20/2014  $\Delta 2$  Sep./25/2014  $\Delta 3$  Feb./24/2015  $\Delta 4$  Oct./4/2015

R&K reserves the right to make changes in the specifications of or discontinue products at any time without notice. R&K products shall not be used for or in connection with equipment that requires an extremely high level of reliability and safety such as aerospace uses or medical life support equipment. Further, The export of R&K products from Japan may be subject to an export license by the government of Japan, based on Japan's "Foreign Exchange and Foreign Trade Law".

## R&K Company Limited

721-1 Maeda, Fuji-City, Shizuoka-Pref. 416-8577 Japan  
Tel : +81-545-31-2600 E-mail : info@rkco.jp  
Fax : +81-545-31-1600 URL : http://rk-microwave.com