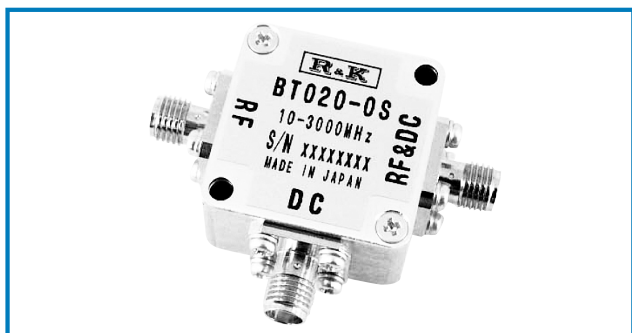
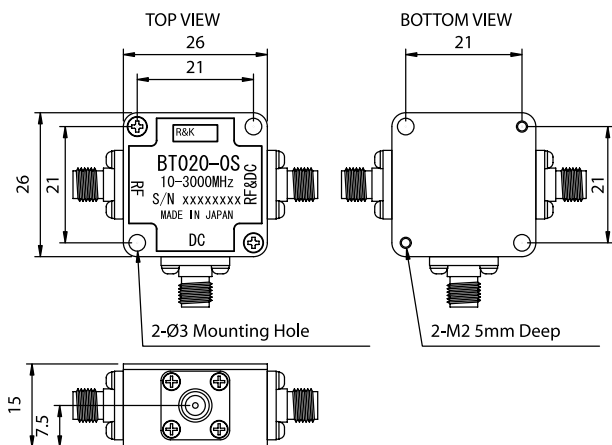


R&K-BT020-0S



OUTLINE DRAWING

※IN MILLIMETERS



- Broadband Frequency : 10~3000MHz
- Low Insertion Loss : 0.7dB (typ) @2000MHz
- High Isolation : 35dB (typ) @2000MHz
- Low Cost
- RoHS Compliance

SPECIFICATIONS

Frequency Range	: 10-3000MHz
Insertion Loss	: 1.5dB (max.)
Isolation RF Port ~ DC Port (DC-3000MHz)	: 30dB (min.)
Isolation RF&DC Port ~ DC Port (10-3000MHz)	: 20dB (min.)
Impedance	: 50 Ω
VSWR	: 1.25 : 1 (typ.)
Input Current	: 1000mA
Maximum Voltage	: 30V
Maximum RF Input Power	: 1W
Operating Temperature	: -25°C to +85°C
Storage Temperature	: -25°C to +85°C
Connectors	
RF / RF&DC (No Option)	: SMA-Female
DC (Standard)	: SMA-Female
DC (Option)	: EMI-Filter
Weight (SMA Connector)	: 30g (typ.)

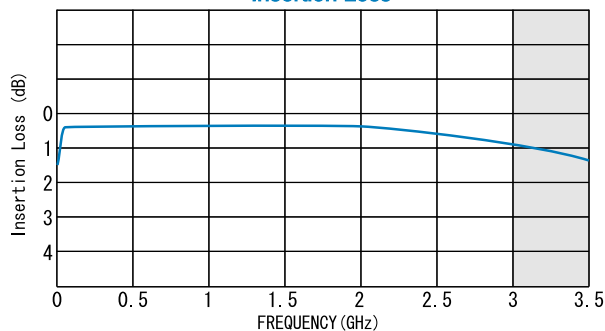
HOW TO ORDER (Connector Option)

Model Name
R&K-BT020-0S

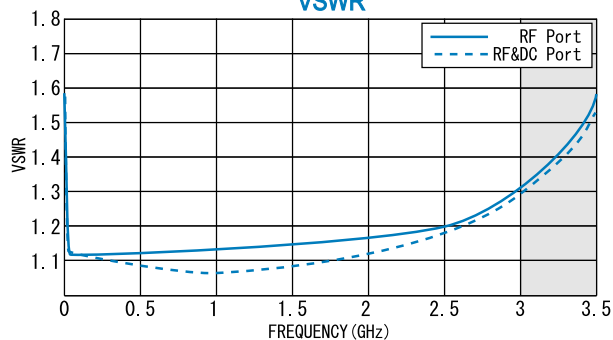
S = SMA - FEMALE
F = EMI - FILTER

TYPICAL PERFORMANCE (Temp @+25°C)

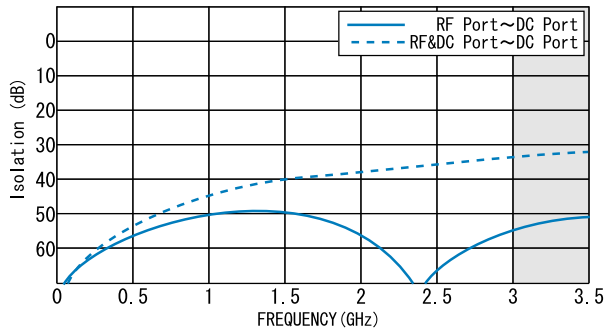
Insertion Loss



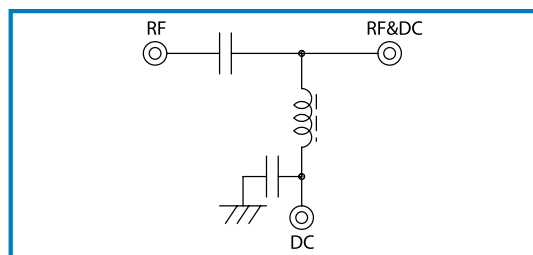
VSWR



Isolation



SCHEMATIC



R&K reserves the right to make changes in the specifications of or discontinue products at any time without notice. R&K products shall not be used for or in connection with equipment that requires an extremely high level of reliability and safety such as aerospace uses or medical life support equipment. Further, R&K cannot export products to any country for use in military or defense applications.

R&K Company Limited

721-1 Maeda, Fuji-City, Shizuoka-Pref. 416-8577 Japan
Tel: +81-545-31-2600 E-mail: info@rkco.jp
Fax: +81-545-31-1600 URL: http://rk-microwave.com