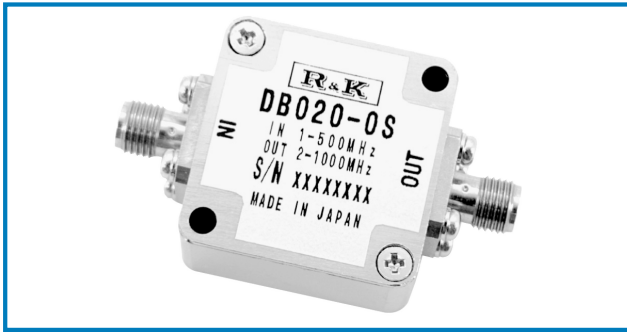
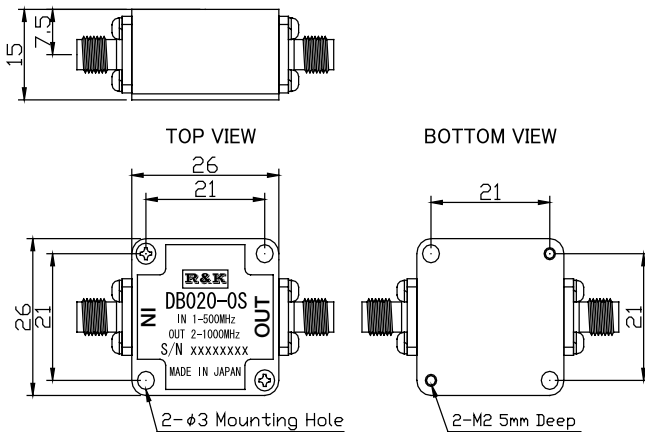


## R&K-DB020-0S



### OUTLINE DRAWING

※IN MILLIMETERS



- Frequency Range : 1 ~ 1000MHz
- High Harmonic Rejection
- Low Conversion Loss
- Low Cost
- RoHS Compliance

### SPECIFICATIONS

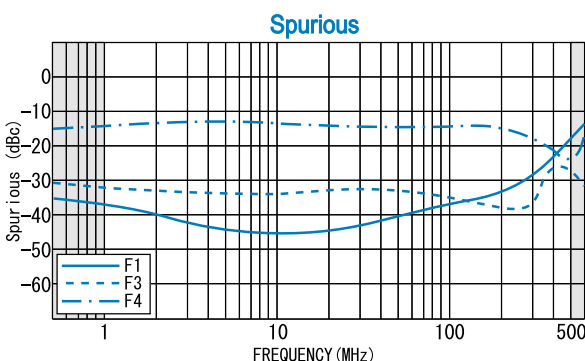
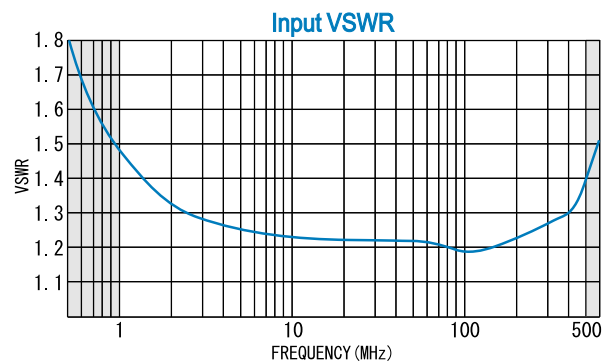
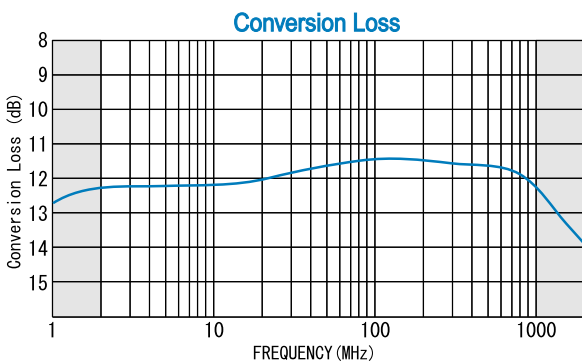
Input Frequency Range	: 1 - 500MHz
Output Frequency Range	: 2 - 1000MHz
Conversion Loss	: 14dB (max.)
Input Power Range	: +10 to +13dBm
Fundamental Signal Suppression	: 13dBc (min.) (F1)
Third Harmonic Suppression	: 23dBc (min.) (F3)
Fourth Harmonic Suppression	: 10dBc (min.) (F4)
VSWR (Input)	: 1.7:1 (max.)
Impedance	: 50Ω
Maximum RF Input Power	: +20dBm
Operating Temperature	: -40°C to + 85°C
Storage Temperature	: -40°C to +100°C
Connectors (Standard)	: SMA-FEMALE
Connectors (Option)	: BNC-FEMALE
	: N-FEMALE
Weight (SMA Connector)	: 30g (typ.)

### HOW TO ORDER

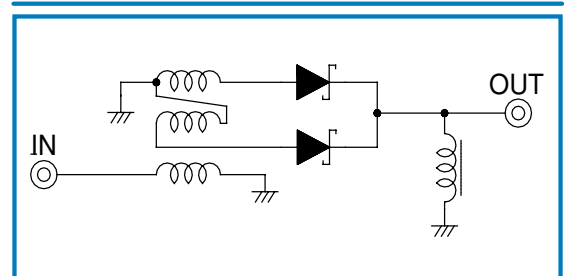
Model Name  
R&K-DB020-0S

S = SMA - FEMALE  
B = BNC - FEMALE  
N = N - FEMALE

### TYPICAL PERFORMANCE (Temp @+25°C)



### SCHEMATIC



R&K reserves the right to make changes in the specifications of or discontinue products at any time without notice. R&K products shall not be used for or in connection with equipment that requires an extremely high level of reliability and safety such as aerospace uses or medical life support equipment. Further, R&K cannot export products to any country for use in military or defense applications.

## R&K Company Limited

721-1 Maeda, Fuji-City, Shizuoka-Pref. 416-8577 Japan  
Tel : +81-545-31-2600 E-mail : info@rkco.jp  
Fax : +81-545-31-1600 URL : http://rk-microwave.com