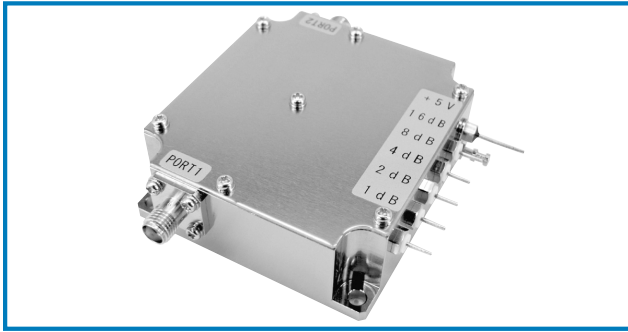
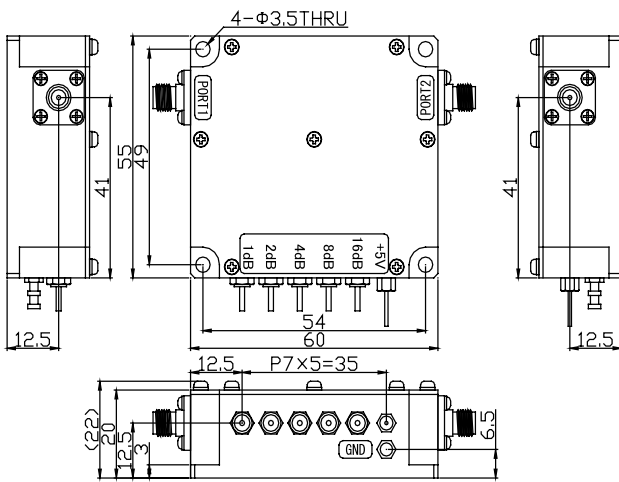


R&K-DT010-0S



OUTLINE DRAWING

※IN MILLIMETERS



- Broadband Frequency : 0.01 ~ 4000MHz
- Attenuation : 1dB Step/5Bit/31dB
- Internal C-MOS Driver
- Low Cost
- RoHS Compliance

SPECIFICATIONS

Frequency Range	: 0.01 - 4000MHz
Insertion Loss (0.01MHz-2GHz)	: 4dB (max.)
(2GHz- 4GHz)	: 6dB (max.)
Attenuation Range / Steps	: 31dB / 1,2,4,8,16dB
Attenuation Accuracy (0.01MHz-2GHz)	: ± 0.5dB (max.)
(2GHz-4GHz)	: ± 1.5dB (max.)
Impedance	: 50Ω
Input /Output VSWR	: 1.5 : 1 (typ.)
Input Power@1dB Comp.	: +21dBm
Input I.C.P.	: +41dBm
Logic Input (+5V C-MOS)	: High = Zero Setting
	: Low = Att Setting
Switching Speed	: 100ns (max.) tRise / tFall
DC Supply Input	: +5V ± 0.2V
	: 50mA (max.)
Maximum RF Input Power	: +23dBm
Operating Temperature	: -20°C to + 60°C
Storage Temperature	: -20°C to + 80°C
Connectors (Standard)	: SMA-FEMALE
Connectors (Option)	: N-FEMALE
Weight (SMA Connector)	: 125g (typ.)

PORT1 & 2 are internally DC blocked

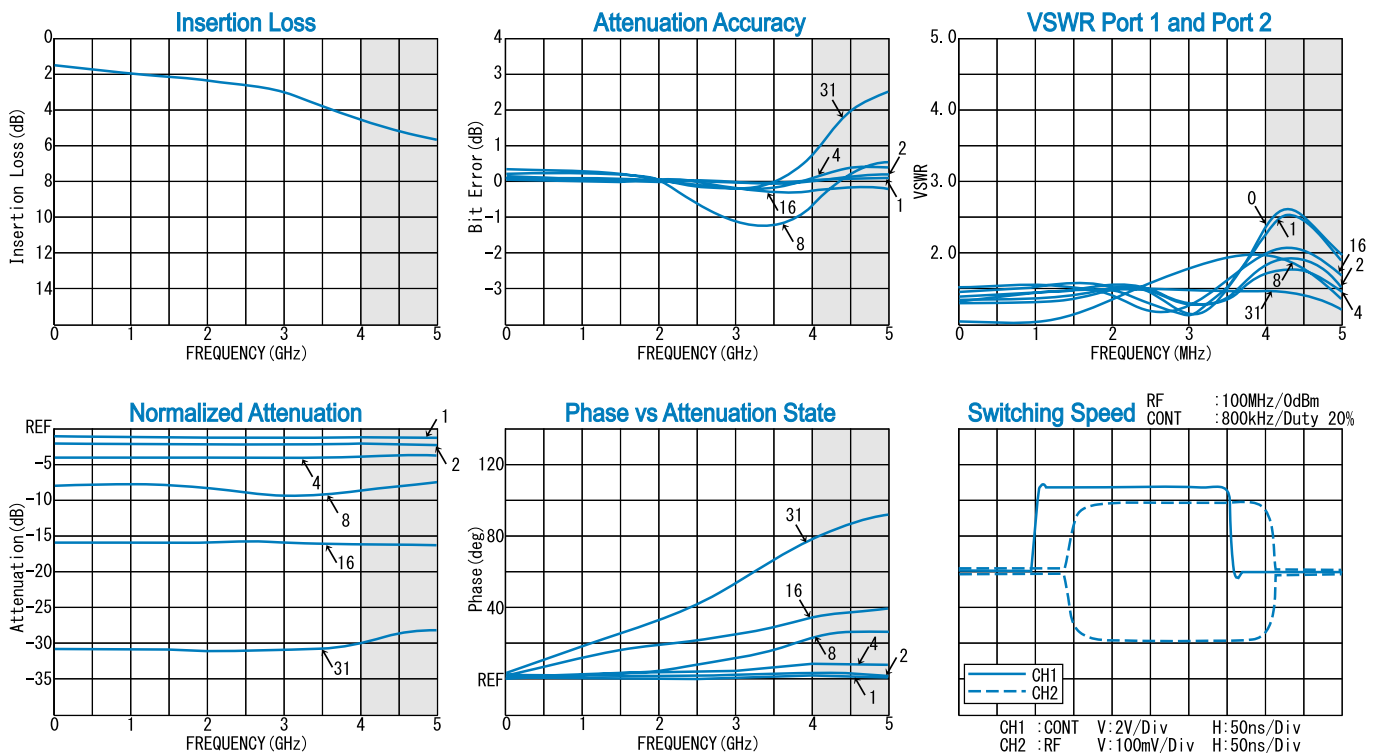
HOW TO ORDER

Model Name R&K-DT010-0S



S = SMA - FEMALE
N = N - FEMALE

TYPICAL PERFORMANCE (Temp @ +25°C)



R&K reserves the right to make changes in the specifications of or discontinue products at any time without notice. R&K products shall not be used for or in connection with equipment that requires an extremely high level of reliability and safety such as aerospace uses or medical life support equipment. Further, R&K cannot export products to any country for use in military or defense applications.

R&K Company Limited

721-1 Maeda, Fuji-City, Shizuoka-Pref. 416-8577 Japan
Tel : +81-545-31-2600 E-mail : info@rkco.jp
Fax : +81-545-31-1600 URL : http://rk-microwave.com