

LOW PASS FILTER

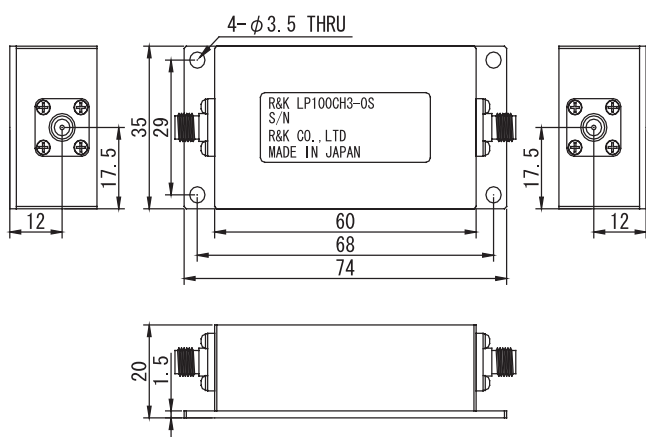


R&K-LP100CH3-0S



OUTLINE DRAWING

※IN MILLIMETERS



- Passband Frequency : DC ~ 100MHz
- Insertion Loss : 1.0dB (max.)
- VSWR : 1.3 (typ.)
- Chebyshev
- RoHS Compliance

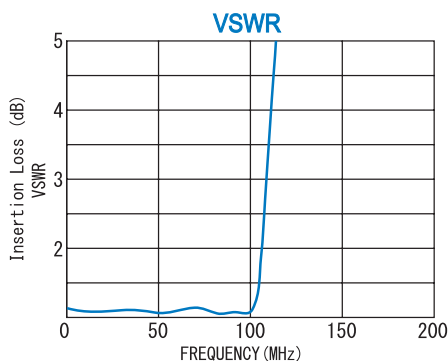
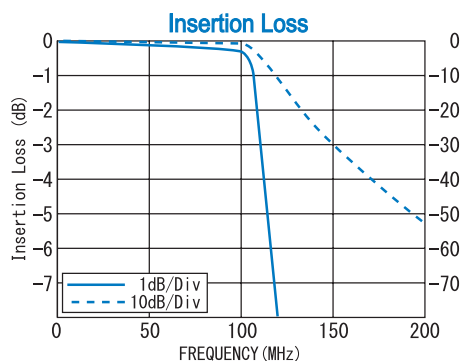
SPECIFICATIONS

- Passband Frequency : DC - 100MHz
- Insertion Loss : 1.0dB (max.)
- Rejection (200MHz to 500MHz) : 45dB (typ.)
- Passband Ripple : 1.0dB (max.)
- Impedance : 50Ω
- VSWR : 1.3:1 (typ.)
- Delay : 30ns (max.)
- Maximum RF Input Power : +33dBm
- Operating Temperature : -20°C to +60°C
- Storage Temperature : -20°C to +80°C
- Connectors (Standard) : SMA-FEMALE
- Connectors (Option) : BNC-FEMALE
: N-FEMALE
- Weight (SMA Connector) : 90g (typ.)

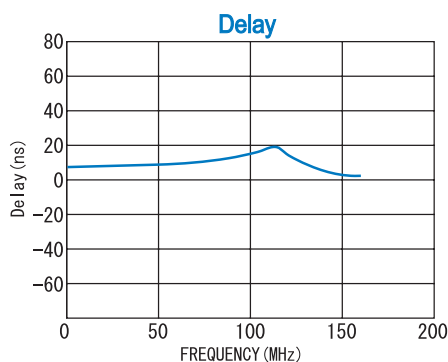
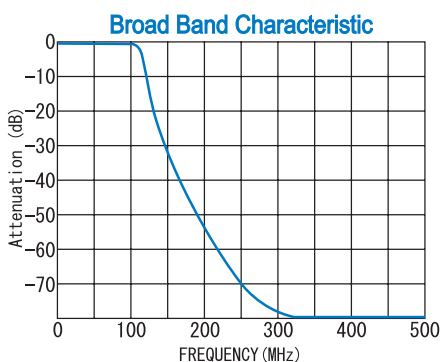
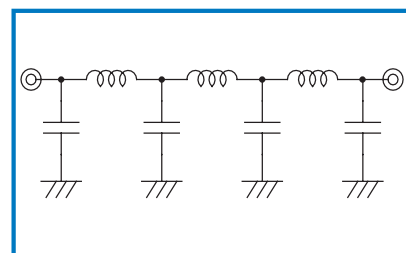
HOW TO ORDER

- Model Name R&K-LP100CH3-0S
- S = SMA - FEMALE
 - B = BNC - FEMALE
 - N = N - FEMALE

TYPICAL PERFORMANCE (Temp @+25°C)



SCHEMATIC



R&K reserves the right to make changes in the specifications of or discontinue products at any time without notice. R&K products shall not be used for or in connection with equipment that requires an extremely high level of reliability and safety such as aerospace uses or medical life support equipment. Further, The export of R&K products from Japan may be subject to an export license by the government of Japan, based on Japan's "Foreign Exchange and Foreign Trade Law".

R&K Company Limited

721-1 Maeda, Fuji-City, Shizuoka-Pref.416-8577 Japan
 Tel : +81-545-31-2600 E-mail : info@rkco.jp
 Fax : +81-545-31-1600 URL : http://rk-microwave.com