

# RF POWER AMPLIFIER

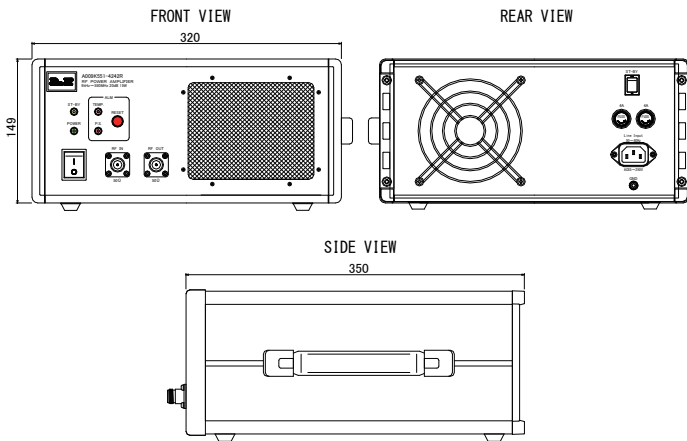


## R&K-A009K551-4242R



### OUTLINE DRAWING

※IN MILLIMETERS



- Class A Linear Solid-State Amplifier
- Broadband Frequency: 9kHz~550MHz
- Output Power (CW) : 15W (min.) @1dB Comp.  
: 25W (typ.) @3dB Comp.

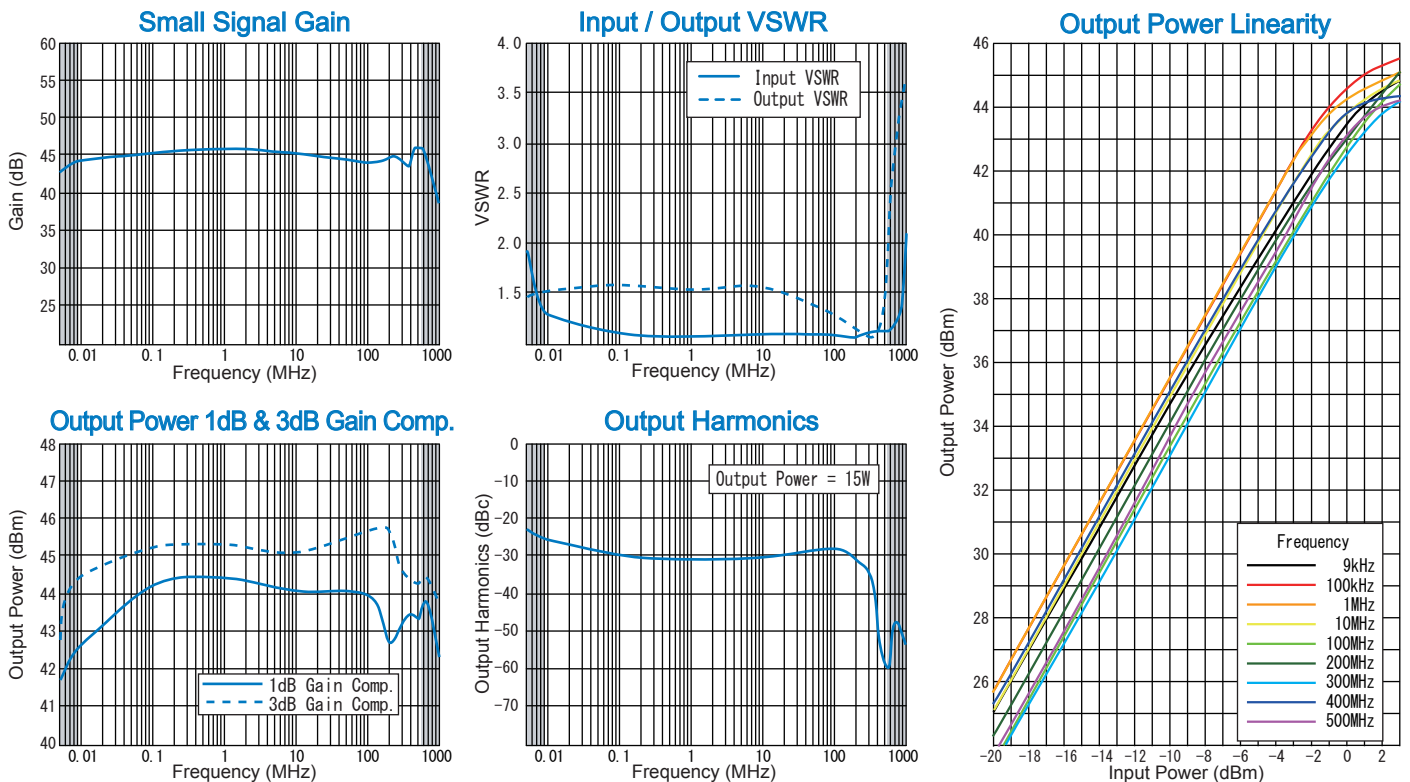
### APPLICATION

- EMC (Electromagnetic Compatibility)
- Etc...

### SPECIFICATIONS @ +25°C

Frequency Range	: 9kHz ~ 550MHz
Small Signal Gain	: +42.0dB (min.)
Gain Flatness	: ±2.0dB (max.)
Output Power (CW)	: 15W (min.) @1dB Comp. : 25W (typ.) @3dB Comp.
Operation Mode	: Class A
Harmonics	: -20.0dBc (max.) @Po=15W
Spurious	: -60.0dBc (max.) @Po=15W
Impedance	: 50Ω
Input VSWR	: 2.0 (max.)
Output VSWR	: 3.0 (max.)
Maximum RF Input Power	: +3.0dBm
AC Supply Input	: AC 85V~250V / 1φ, 50/60Hz, 140VA (typ.), 160VA (max.) Δ1
Operating Temperature	: 0°C to +40°C
Storage Temperature	: -15°C to +65°C
Connectors	: RF - IN N - FEMALE RF - OUT N - FEMALE
Size	: (W)320mm×(D)350mm×(H)149mm
Weight	: 10.5kg (typ.) Δ1
Cooling	: Forced Air Cooling
Protection Circuits	: Over Temperature Protection Power Supply Voltage Protection

### TYPICAL PERFORMANCE (Temp @+25°C)



\* CHANGE Δ1 14/Mar./2018

R&K reserves the right to make changes in the specifications of or discontinue products at any time without notice. R&K products shall not be used for or in connection with equipment that requires an extremely high level of reliability and safety such as aerospace uses or medical life support equipment. Further, The export of R&K products from Japan may be subject to an export license by the government of Japan, based on Japan's "Foreign Exchange and Foreign Trade Law".

## R&K Company Limited

721-1 Maeda, Fuji-City, Shizuoka-Pref. 416-8577 Japan  
 Tel : +81-545-31-2600 E-mail : info@rkco.jp  
 Fax : +81-545-31-1600 URL : http://rk-microwave.com