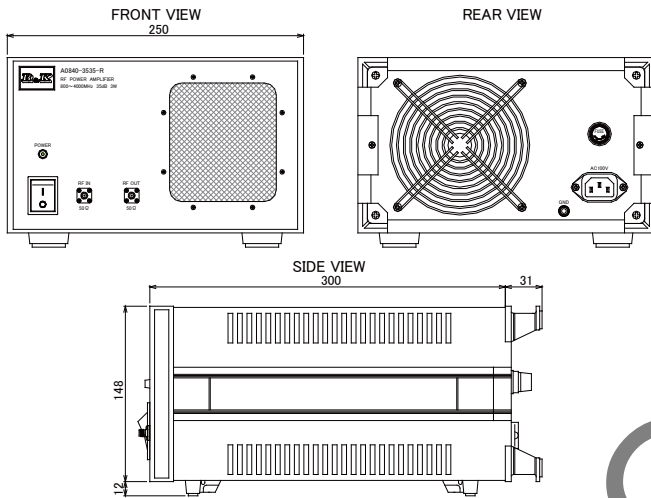


R&K-A0840-3535-R



OUTLINE DRAWING

※ IN MILLIMETERS



- Class A Linear Solid-State Amplifier
- Broadband Frequency: 800MHz ~ 4000MHz
- Output Power : 3W (min.) @1dB Comp.

SPECIFICATIONS @ +25°C

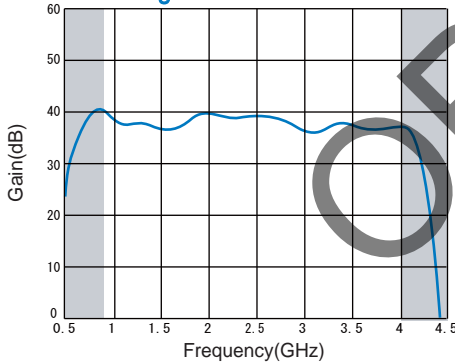
Frequency Range	: 800MHz ~ 4000MHz
Small Signal Gain	: +35.0dB (min.)
Gain Flatness	: ±3.0dB (max.)
Output Power	: 3W (min.) @1dB Comp.
Operation Mode	: Class A
Output I.C.P.	: +45.0dBm (typ.)
Harmonics	: -20.0dBc (max.) @Po=3W
Spurious	: -65.0dBc (max.) @Po=3W
Impedance	: 50Ω
Input VSWR	: 2.0 (max.)
Output VSWR	: 2.0 (max.)
AC Supply Input	: AC100V±15%/1φ, 50/60Hz, 70VA
Operating Temperature	: -10°C to +45°C
Storage Temperature	: -15°C to +65°C
Connectors	: RF - IN SMA - FEMALE RF - OUT SMA - FEMALE
Weight	: 6.0kg (max.)
Cooling	: Forced Air Cooling

HOW TO ORDER

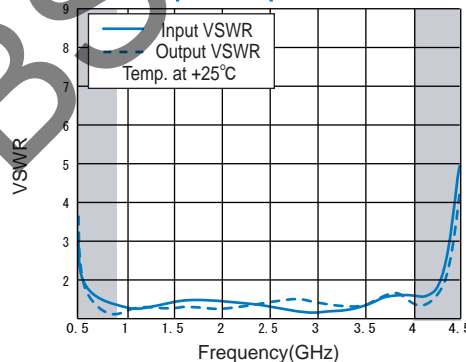
Model Name R&K-A0840-3535-R No Option

TYPICAL PERFORMANCE (Temp @ +25°C)

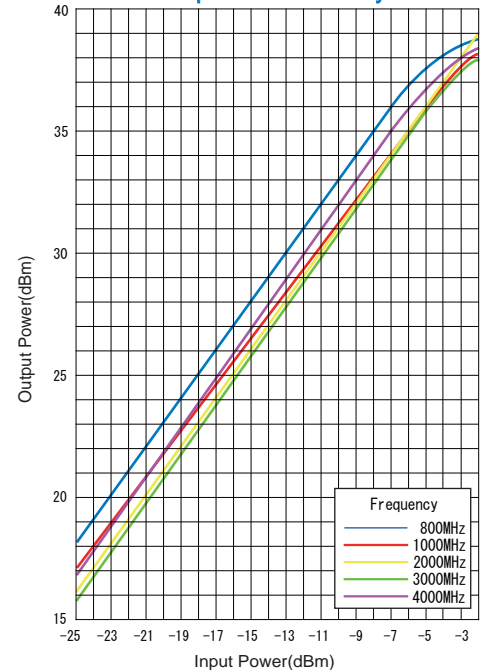
Small Signal Gain & Gain Flatness



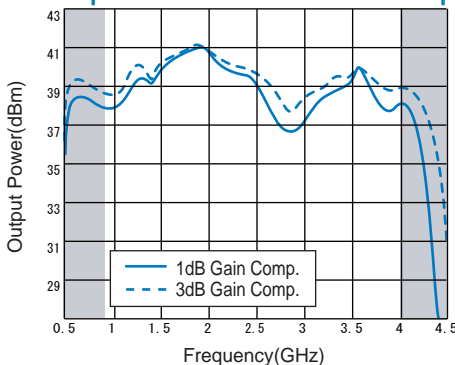
Input / Output VSWR



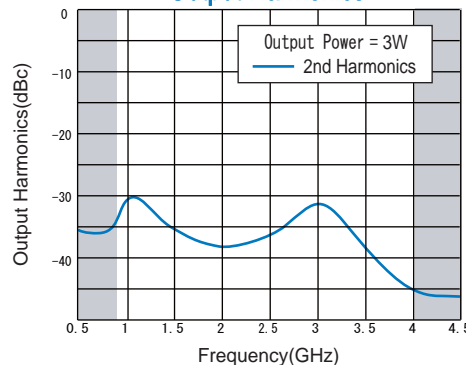
Output Power Linearity



Output Power 1dB & 3dB Gain Comp.



Output Harmonics



R&K reserves the right to make changes in the specifications of or discontinue products at any time without notice. R&K products shall not be used for or in connection with equipment that requires an extremely high level of reliability and safety such as aerospace uses or medical life support equipment. Further, R&K cannot export products to any country for use in military or defense applications.

R&K Company Limited

721-1 Maeda, Fuji-City, Shizuoka-Pref. 416-8577 Japan
 Tel: +81-545-31-2600 E-mail: info@rkco.jp
 Fax: +81-545-31-1600 URL: http://rk-microwave.com