

SMALL SIGNAL AMPLIFIER

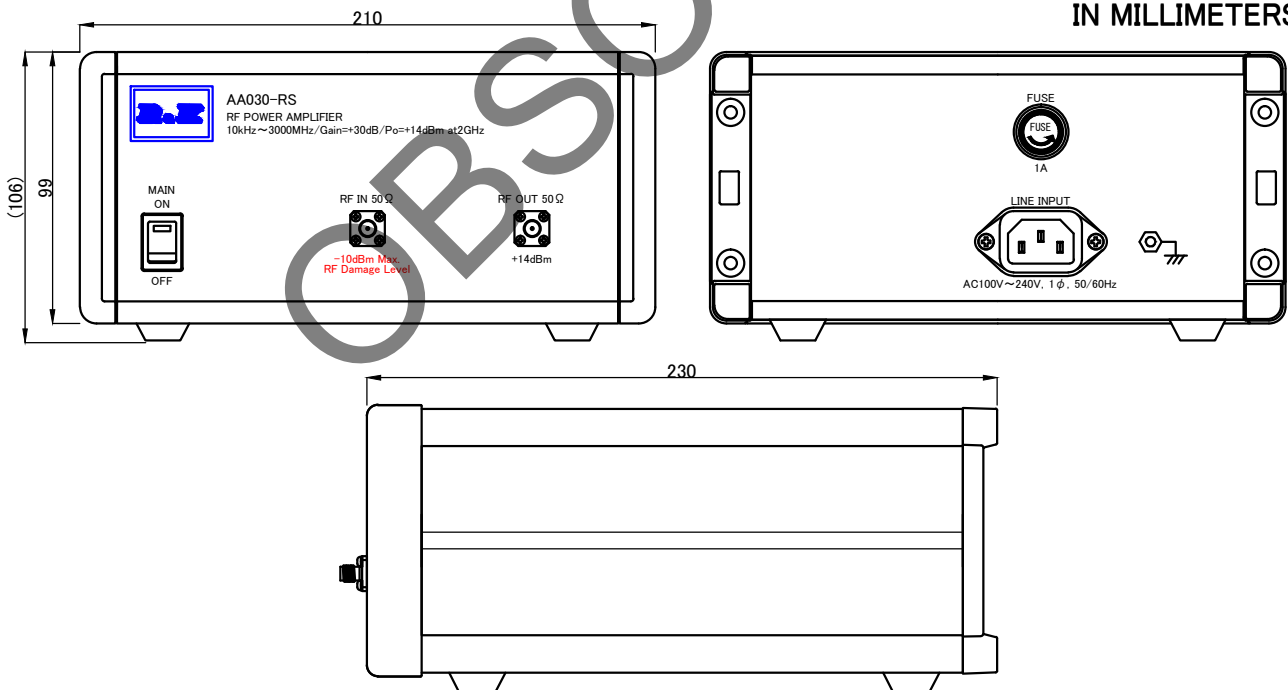
MODEL ; R&K-AA030-RS

SPECIFICATIONS


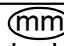

Frequency Range	; 0.01 – 3000MHz
Small Signal Gain	; +31dB (typ.) @2GHz ; +30dB (min.)
Gain Flatness	; ± 1.5dB (max.)
Output Power@1dB Comp.	; +14dBm (min.) @2GHz
Output I.C.P.	; +28dBm (typ.) @2GHz
Noise Figure	; 6.0dB (max.)
Impedance	; 50 Ω
Input VSWR	; 1.2 : 1 (typ.)
Output VSWR	; 1.4 : 1 (typ.)
AC Supply Input	; AC100 ~ 240V / 50 ~ 60Hz ; 20VA (max.)
Maximum RF Input Power	; -10dBm
Operating Temperature	; -15°C to +45°C
Storage Temperature	; -15°C to +65°C
Connectors (In/Out)	; SMA-FEMALE
Weight	; 3.0kg (max.)

OUTLINE DRAWING

IN MILLIMETERS



NOTE ; Specifications subject to change without notice.

Revision History				 株式会社 アルアンドケー		AA030-RS	
No	Date	Details	Approved			作成年月日 DRAWN	SPECIFICATION
01	2014/5/22	Spec Changes	Tomotaka	 	2009/11/04	EK-20-0203-3-02	
02	2018/10/16	Spec Changes	Tomotaka				
	2019/7/10	Outline Drawing Changes	Yoshikazu	検認 APPROVED	照査 CHECKED	設計 DESIGNED	作成 DRAWN
				Masahiko Suzuki	Tomotaka	Masahiko Suzuki	Masahiko Suzuki

Information disclosed in this document is intended for the sole use of, and distribution by, R&K Company Limited, for purposes of documentation, design, and purchasing. R&K Company Limited reserves all design and proprietary rights to this document, and it may not be used for purposes other than those approved by R&K Company Limited.