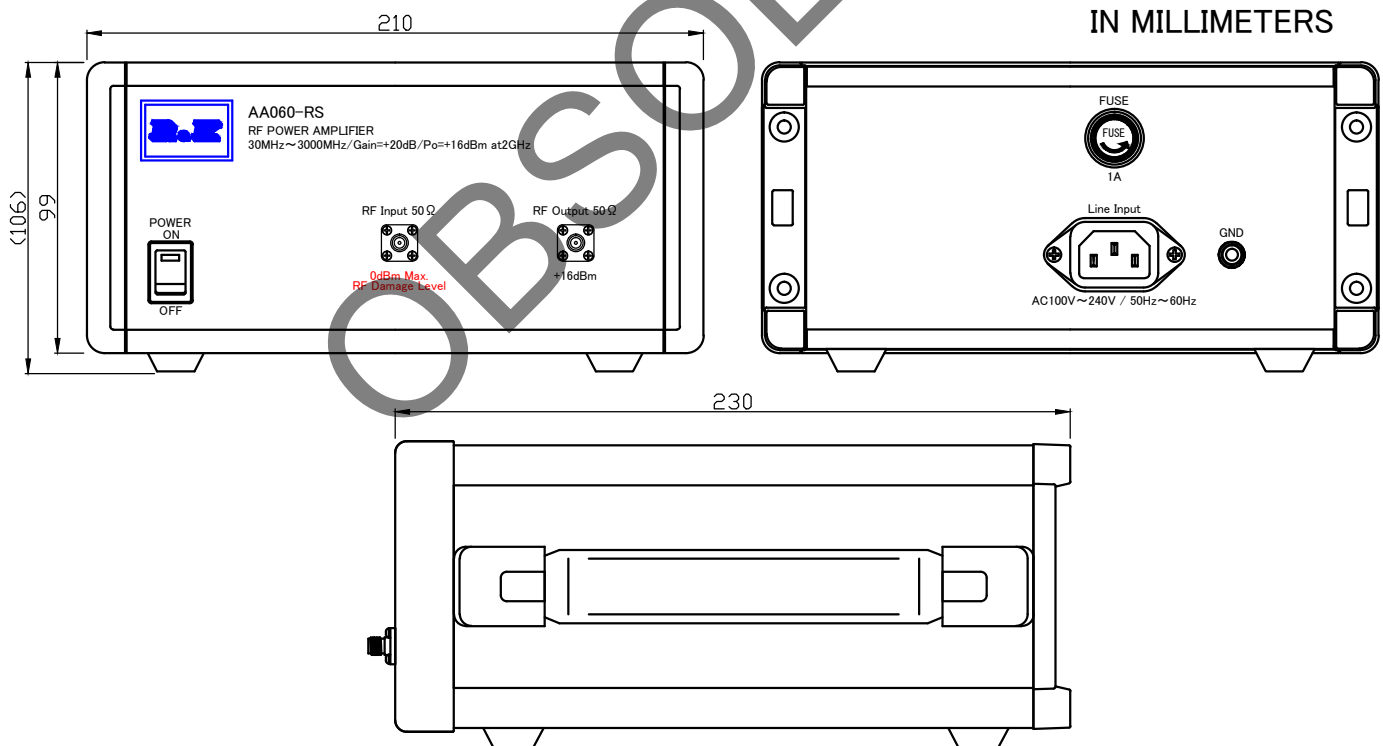


MODEL ; R&K-AA060-RS

SPECIFICATIONS

Frequency Range	; 30 – 3000MHz
Small Signal Gain	; +22dB (typ.) @2GHz ; +20dB (min.)
Gain Flatness	; ± 1.5dB (max.)
Output Power@1dB Comp.	; +16dBm (min.) @2GHz
Output I.C.P.	; +28dBm (typ.) @2GHz
Noise Figure	; 6.0dB (max.)
Impedance	; 50 Ω
Input VSWR	; 1.2 : 1 (typ.)
Output VSWR	; 1.6 : 1 (typ.)
AC Supply Input	; AC100 ~ 240V / 50 ~ 60Hz ; 20VA (max.)
Maximum RF Input Power	; 0dBm
Operating Temperature	; -15°C to +45°C
Storage Temperature	; -15°C to +65°C
Connectors (In/Out)	; SMA-FEMALE
Weight	; 3.0kg (max.)

OUTLINE DRAWING



NOTE ; Specifications subject to change without notice.

2014/5/22 Spec. Change
2018/10/16 Spec. Change

R&K		株式会社 アールアンドケー	
縮尺 SCALE	単位 UNIT	作成年月日 DRAWN	
三角法	mm inch	2009/11/04	
検認 APPROVED	照査 CHECKED	設計 DESIGNED	作成 DRAWN
Masahiko Suzuki	Tomotaka	Masahiko Suzuki	Masahiko Suzuki

AA060-RS

SPECIFICATION

EK-20-0206-3-01