



Reliable Stripline Construction QUADRATURE HYBRIDS

90° POWER DIVIDERS/COMBINERS

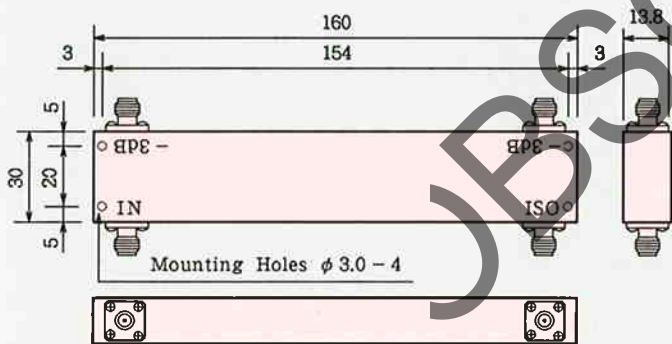
- BROADBAND FREQUENCY COVERAGE
FROM 0.2 TO 3 GHz
- HIGH ISOLATION, LOW VSWR
AND LOW INSERTION LOSS
- HIGH POWER
- EXCELLENT AMPLITUDE BALANCE
- CONNECTORS : SMA – Female
- LOW COST, OEM AVAILABLE



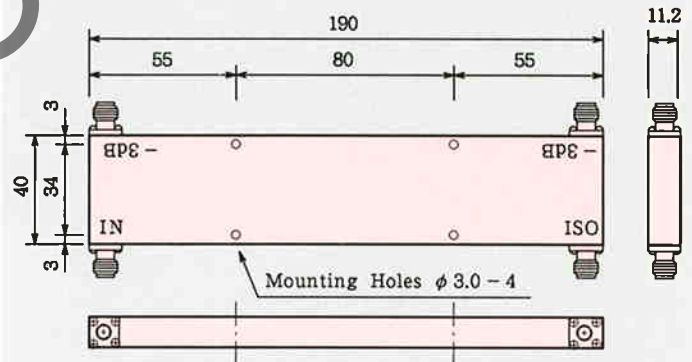
MODEL NO.	FREQUENCY RANG (MHz)	VSWR ALL PORT (Max)	INSERTION LOSS dB (Max)	AMP BALANCE dB (Max)	PHASE BALANCE Degrees (Max)	ISOLATION dB (Min)	INPUT POWER W (MAX)	PACKAGE CODE
PDQ-0520-100W	500 ~ 2000	1.2	0.8	± 0.5	± 8.0	20	100	Q-01
PDQ-0211-150W	200 ~ 1150	1.25	1.0	± 0.75	± 5.0	20	150	Q-02
PDQ-0530-100W	500 ~ 3000	1.2	1.0	± 0.75	± 8.0	17	100	Q-01
PDQ-0210-200W	200 ~ 1100	1.2	0.7	± 0.5 (TYP)	± 2.0	20	200	Q-03

DIMENSION

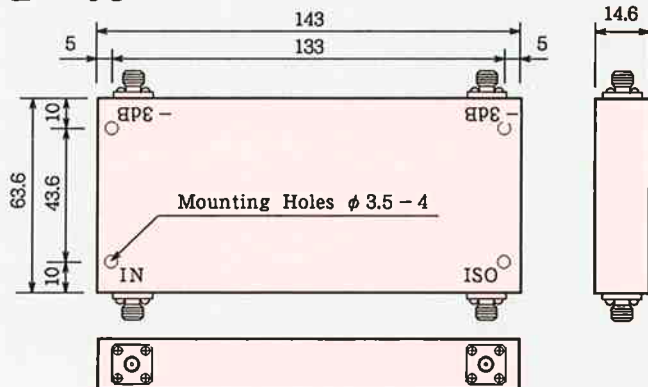
Q-01



Q-02



Q-03



Specified Input Power(MAX) Values are,

- ① Temperature at + 25 °C condition, degradations required for higher temperature conditions.
- ② All port VSWRs are less than 1:1.2 conditions, degradations required for higher V.S.W.R. conditions.



R&K Company Limited.

121-6 Yunoki, Fuji-City, Shizuoka-Pref. Japan.
Phone:0545-64-0559 FAX:0545-64-0507