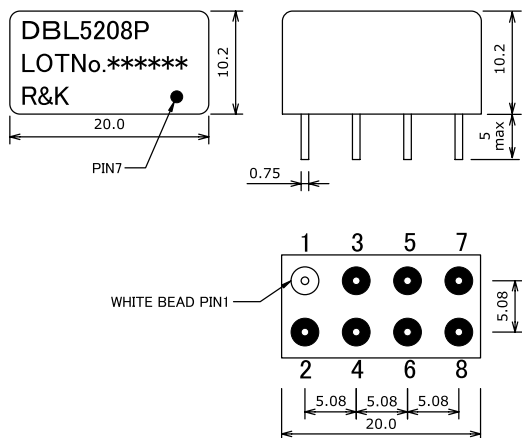


## R&K-DBL520



### OUTLINE DRAWING

※ IN MILLIMETERS



- Frequency : 1-3000MHz
- High Harmonic Rejection
- Low Cost / 8PIN Package
- RoHS Compliance

### SPECIFICATIONS

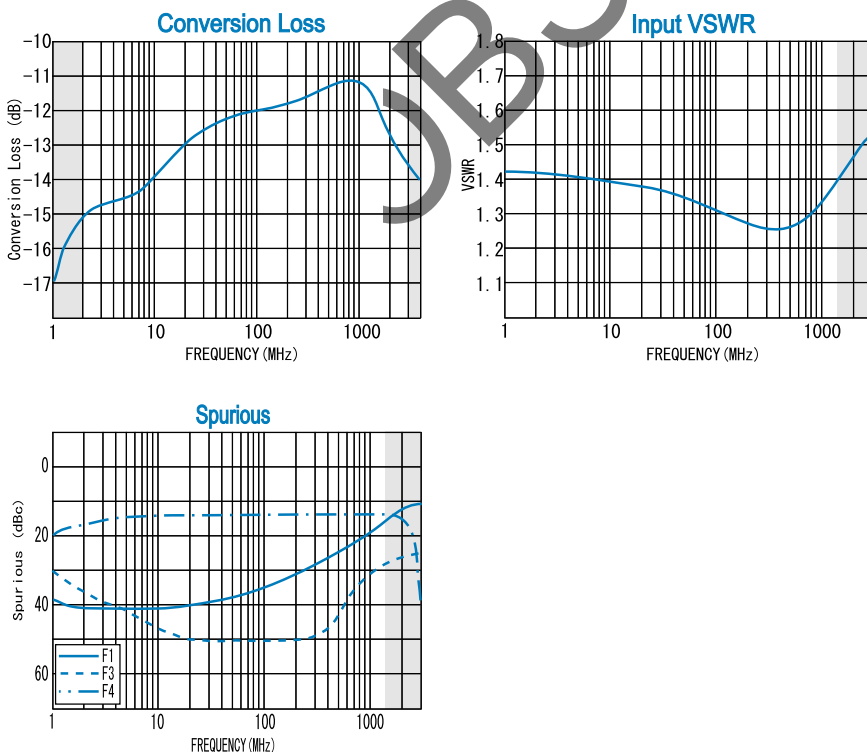
Input Frequency Range	: 1-1500MHz
Output Frequency Range	: 2-3000MHz
Conversion Loss	: 12.0dB (typ.) : 16dB (max.)
Input Power Range	: +10~+13dBm
Fundamental Signal Suppression (F1)	: 20dBc (typ.) : 10dBc (min.)
Third Harmonic Suppression (F3)	: 30dBc (typ.) : 20dBc (min.)
Fourth Harmonic Suppression (F4)	: 16dBc (typ.) : 12dBc (min.)
VSWR (Input)	: 1.6:1 (max.)
Operating Temperature	: -40°C to +85°C
Storage Temperature	: -40°C to +100°C
Impedance (All Ports)	: 50 Ω
Maximum RF Input Power	: 100mW

### HOW TO ORDER

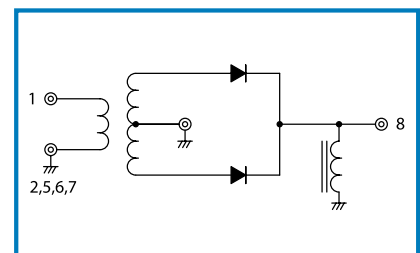
Model Name  
R&K-DBL5208P

8P=8PIN Package

### TYPICAL PERFORMANCE (Temp @+25°C)



### SCHEMATIC



Function	Pin No.
RF-IN	1
RF-OUT	8
GND	2, 5, 6, 7
N.C.	3, 4

R&K reserves the right to make changes in the specifications of or discontinue products at any time without notice. R&K products shall not be used for or in connection with equipment that requires an extremely high level of reliability and safety such as aerospace uses or medical life support equipment. Further, R&K cannot export products to any country for use in military or defense applications.

## R&K Company Limited

721-1 Maeda, Fuji-City, Shizuoka-Pref. 416-8577 Japan  
 Tel : +81-545-31-2600 E-mail : info@rkco.jp  
 Fax : +81-545-31-1600 URL : http://rk-microwave.com