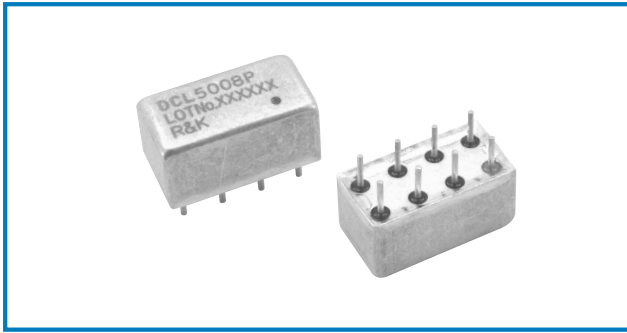
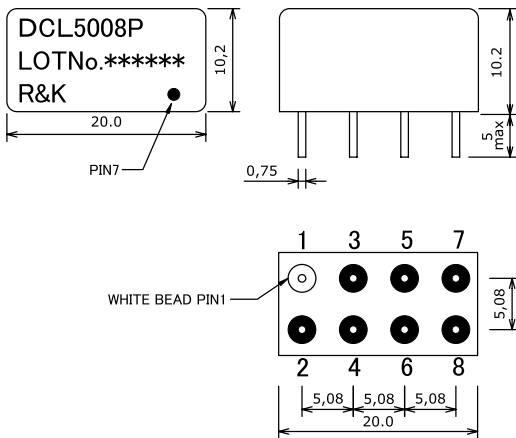


R&K-DCL500



OUTLINE DRAWING

※ IN MILLIMETERS



- Frequency : 1-500MHz
- Coupling 13.0dB Flat Response
- Low Cost / 8PIN Package
- RoHS Compliance

SPECIFICATIONS

Frequency Range : 1-500MHz

Main Line Loss

	1 - 50MHz	50 - 200MHz	200 - 500MHz
Typ.	1.0dB	0.5dB	0.5dB
Max.	1.5dB	1.0dB	1.0dB

Directivity

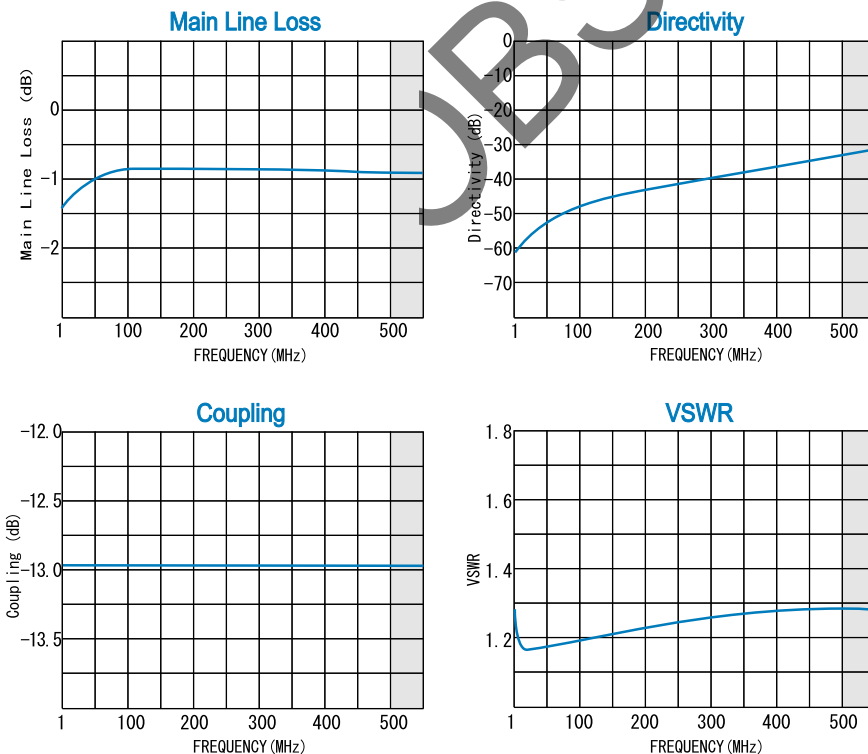
	1 - 50MHz	50 - 200MHz	200 - 500MHz
Typ.	55dB	40dB	35dB
Min.	40dB	30dB	20dB

- Coupling : 13.0dB (nom.)
- Coupling Flatness : ± 0.8 dB (max.)
- VSWR : 1.4:1(max.)
- Impedance (All Ports) : 50 Ω
- Maximum RF Input Power : 1W (max.)
- Internal Load Dissipation : 0.1W
- Operating Temperature : -40°C to + 85°C
- Storage Temperature : -40°C to +100°C

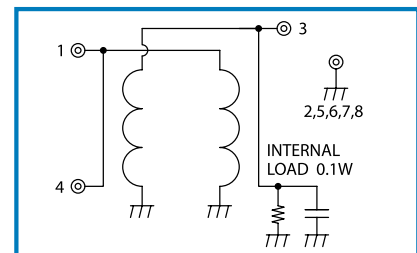
HOW TO ORDER

Model Name
R&K-DCL5008P 8P=8PIN Package

TYPICAL PERFORMANCE (Temp @+25°C)



SCHEMATIC



Function	Pin No.
RF-IN	1
RF-OUT	4
FWD COUPLED	3
GND	2,5,6,7,8

R&K reserves the right to make changes in the specifications of or discontinue products at any time without notice. R&K products shall not be used for or in connection with equipment that requires an extremely high level of reliability and safety such as aerospace uses or medical life support equipment. Further, R&K cannot export products to any country for use in military or defense applications.

R&K Company Limited

721-1 Maeda, Fuji-City, Shizuoka-Pref. 416-8577 Japan
Tel : +81-545-31-2600 E-mail : info@rk.co.jp
Fax : +81-545-31-1600 URL : http://rk-microwave.com