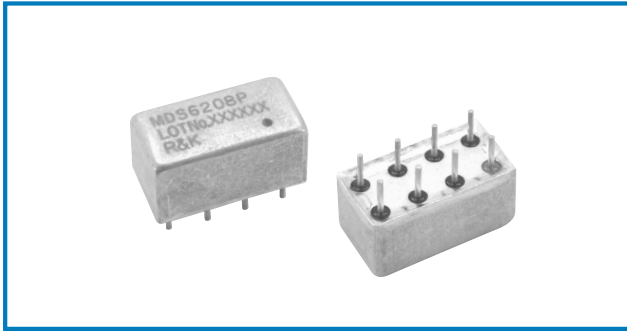


DOUBLE BALANCED MIXER

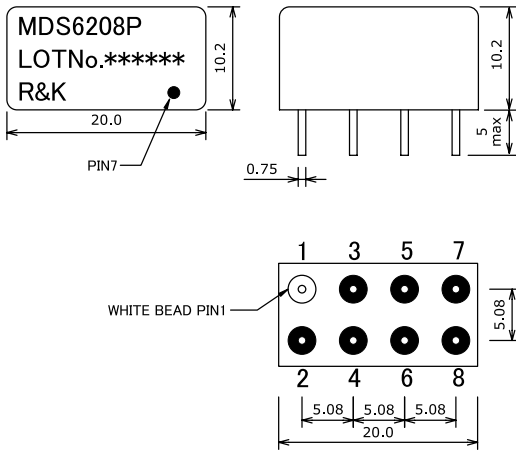


R&K-MDS620



OUTLINE DRAWING

※IN MILLIMETERS



- Frequency : DC-2500MHz
- S-High LO Drive Level : +23dBm
- Low Cost / 8PIN Package
- RoHS Compliance

SPECIFICATIONS

Frequency Range [LO&RF] : 1-2500MHz
[IF] : DC-1000MHz

Conversion Loss (LO Drive Level +23dBm)

	1 - 10MHz	10 - 1000MHz	1000 - 2500MHz
Typ.	6.0dB	6.0dB	7.0dB
Max.	8.5dB	8.0dB	9.0dB

Isolation (min.)

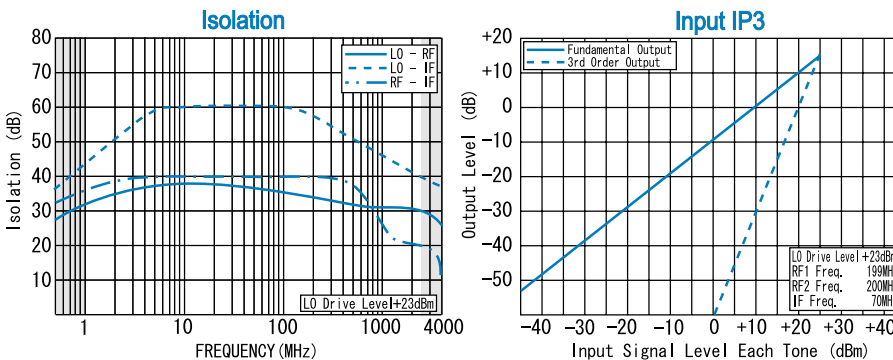
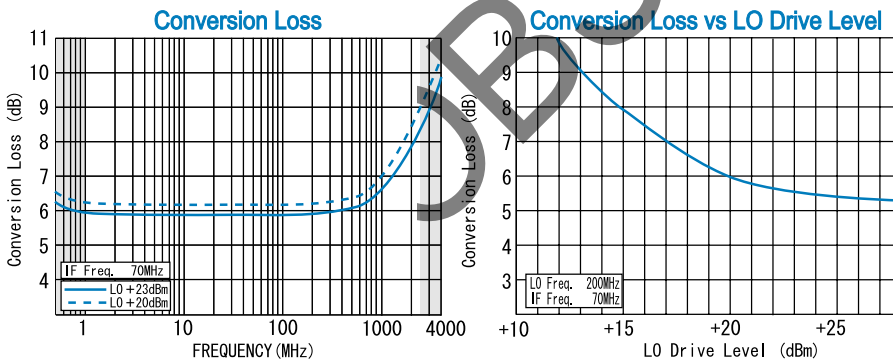
	1 - 10MHz	10 - 1000MHz	1000 - 2500MHz
LO - RF	25dB	25dB	20dB
LO - IF	25dB	25dB	20dB
RF - IF	25dB	25dB	15dB

- Input IP3 @Center Band : +26dBm (typ.)
- Input 1dB Comp. Point : +14dBm (typ.)
- Impedance (All Ports) : 50Ω
- Maximum RF Input Power : 1000mW
- Maximum Peak IF Current : 50mA
- Operating Temperature : -40°C to + 85°C
- Storage Temperature : -40°C to +100°C

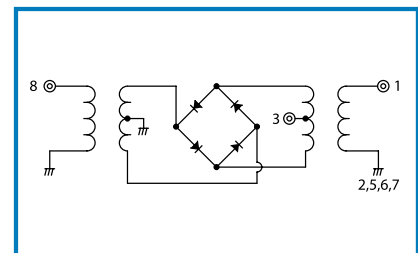
HOW TO ORDER

Model Name
R&K-MDS6208P 8P=8PIN Package

TYPICAL PERFORMANCE (Temp @+25°C)



SCHEMATIC



Function	Pin No.
RF	1
IF	3
LO	8
GND	2, 5, 6, 7
N.C.	4

R&K reserves the right to make changes in the specifications of or discontinue products at any time without notice. R&K products shall not be used for or in connection with equipment that requires an extremely high level of reliability and safety such as aerospace uses or medical life support equipment. Further, R&K cannot export products to any country for use in military or defense applications.

R&K Company Limited

721-1 Maeda, Fuji-City, Shizuoka-Pref. 416-8577 Japan
Tel : +81-545-31-2600 E-mail : info@rk.co.jp
Fax : +81-545-31-1600 URL : http://rk-microwave.com