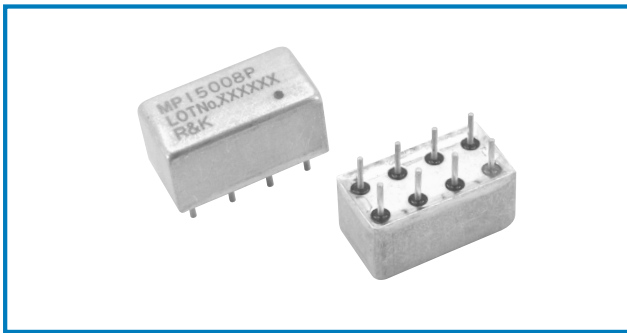
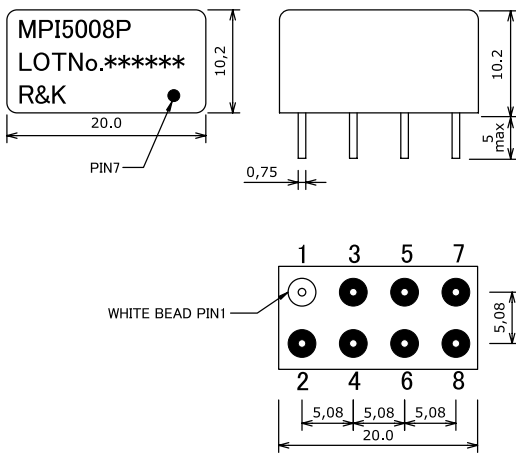


R&K-MPI500



OUTLINE DRAWING

※IN MILLIMETERS



- Frequency : 5MHz-500MHz
- High Attenuation Ratio
- Low Cost / 8PIN Package
- RoHS Compliance

SPECIFICATIONS

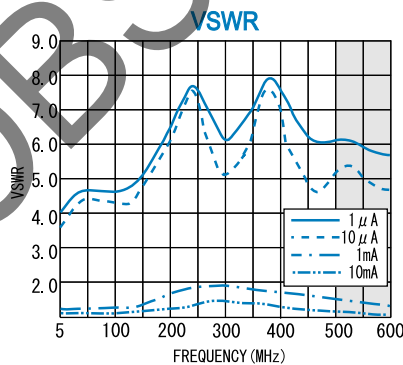
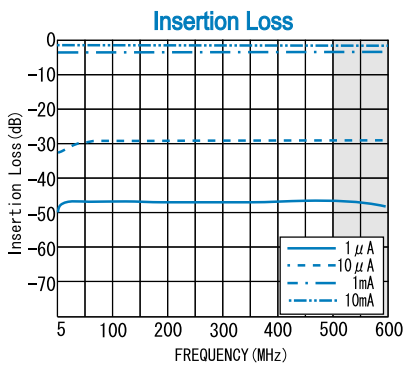
Frequency Range	: 5-500MHz		
Insertion Loss	: 6dB (max.)		
Attenuation	(RF:0dBm)		
	5 - 50MHz	50 - 200MHz	200 - 500MHz
Min.	45dB	40dB	40dB
VSWR	: 2.0:1 (max.) On Time		
Maximum RF Input Power	: 1W (CW.)		
Control Current	: 0 to 50mA (max.)		
Harmonics	: -40dBc (max.) RF=10mW		
Phase Balance	: ±10deg (max.)		
Impedance	: 50 Ω		
Operating Temperature	: -40°C to+ 85°C		
Strage Temperature	: -40°C to+100°C		

HOW TO ORDER

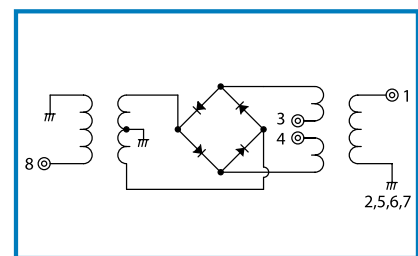
Model Name
R&K-MPI5008P

8P=8PIN Package

TYPICAL PERFORMANCE (Temp @+25°C)



SCHEMATIC



Function	Pin No.
RF-IN	1
RF-OUT	8
CONTROL	3, 4
GND	2, 5, 6, 7

R&K reserves the right to make changes in the specifications of or discontinue products at any time without notice. R&K products shall not be used for or in connection with equipment that requires an extremely high level of reliability and safety such as aerospace uses or medical life support equipment. Further, R&K cannot export products to any country for use in military or defense applications.

R&K Company Limited

721-1 Maeda, Fuji-City, Shizuoka-Pref. 416-8577 Japan
 Tel : +81-545-31-2600 E-mail : info@rk.co.jp
 Fax : +81-545-31-1600 URL : http://rk-microwave.com