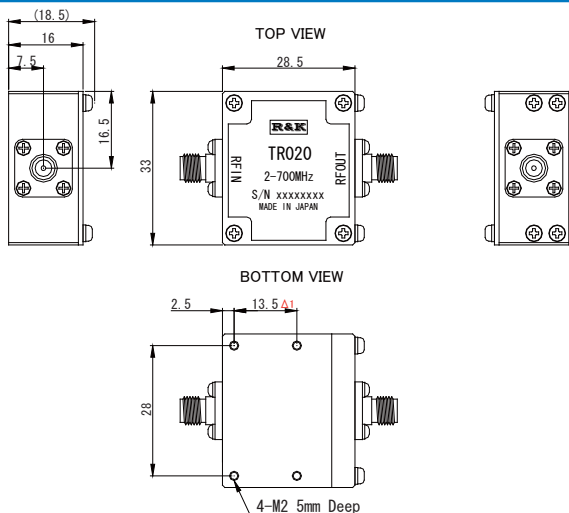


R&K-TR020-0S



OUTLINE DRAWING

※ IN MILLIMETERS



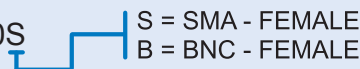
- Broadband Frequency : 2 ~ 700MHz
- Low Insertion Loss
- Non-Floating 50Ω ⇔ Floating 50Ω
- Low Cost
- RoHS Compliance

SPECIFICATIONS @ +25°C

Frequency Range	: 2MHz ~ 700MHz
Insertion Loss	: 2.5dB (max)
Impedance	: 50Ω
VSWR (All Ports)	: 1.35:1 (typ.)
Maximum RF Input Power	: +30dBm
Operating Temperature	: -40°C to +80°C
Storage Temperature	: -40°C to +80°C
Connectors (Standard)	: SMA-FEMALE
Connectors (Option)	: BNC-FEMALE
Weight (SMA Connectors)	: 40g (typ.)

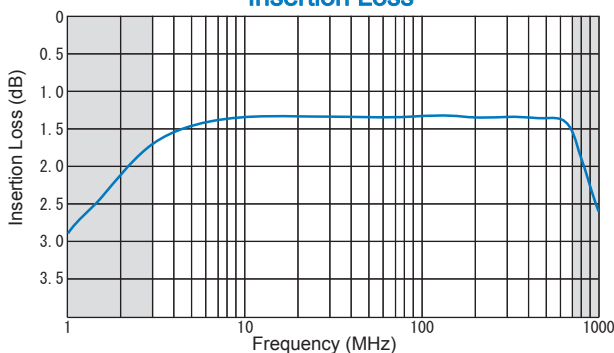
HOW TO ORDER

Model Name
R&K-TR020-0S

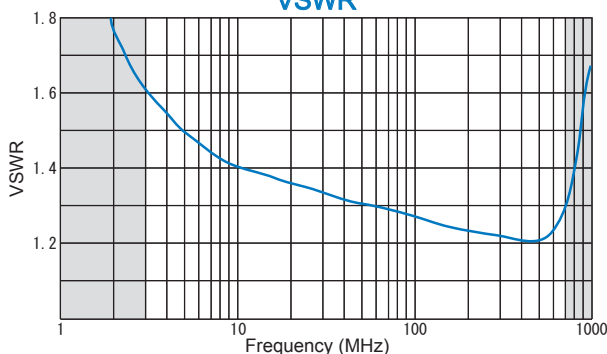


TYPICAL PERFORMANCE (Temp @+25°C)

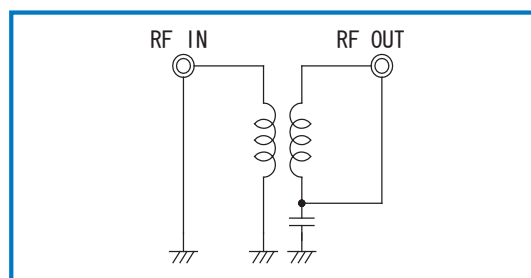
Insertion Loss



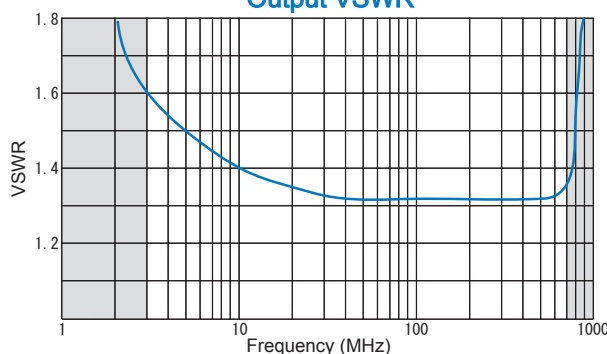
VSWR



SCHEMATIC



Output VSWR



*CHANGE Δ1 15/4/2010

R&K reserves the right to make changes in the specifications of or discontinue products at any time without notice. R&K products shall not be used for or in connection with equipment that requires an extremely high level of reliability and safety such as aerospace uses or medical life support equipment. Further, R&K cannot export products to any country for use in military or defense applications.

R&K Company Limited

721-1 Maeda, Fuji-City, Shizuoka-Pref. 416-8577 Japan
 Tel : +81-545-31-2600 E-mail : info@rkco.jp
 Fax : +81-545-31-1600 URL : http://rk-microwave.com