



RF & Microwave Power Amplifiers
The World's Most Reliable High Performance Solid-State Amplifiers

FS Amplifier

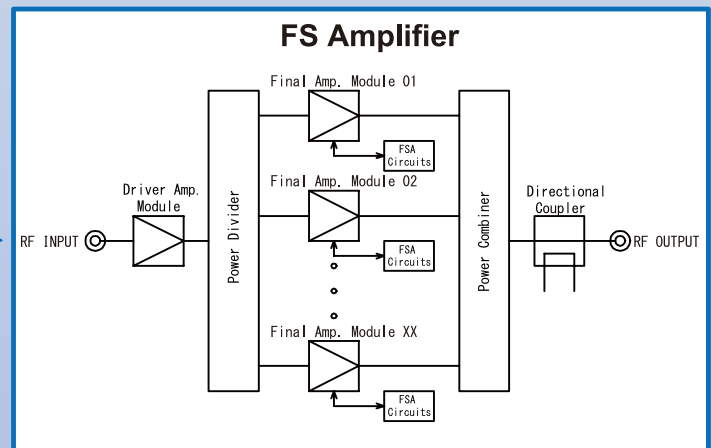
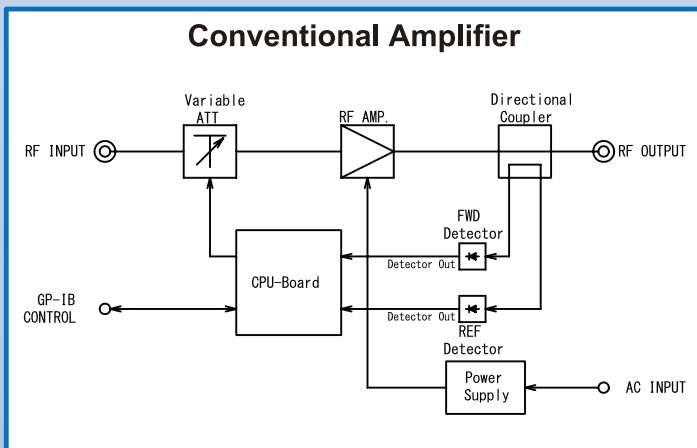
OPEN/SHORT TOLERANCE

- *Virtually Unlimited Survival Time!*
- *Maximum Output Power!*

The new FS Series of Class A solid state amplifiers from R&K incorporates an innovative "Fail-Safe Amplifier (FSA)" design.

In the event of operational errors or load fluctuations, integrated reverse power protection FSA circuitry ensure the amplifier remains in a safe and damage free operational state under a wide range of load conditions.

The novel FSA design provides reverse power protection over a wide impedance range and extended period of time without shutdown or severe output limitations. Many amplifier manufacturers make similar claims. But the new FS amplifier design, which leverages over 40 years of R&K RF design experience, delivers the highest reliability and performance of any impedance tolerant amplifier on the market. Contact your local sales representative or R&K to learn more!



www.rk-microwave.com

Headquarters

R&K R&K Company Limited

721-1 Maeda, Fuji-City, Shizuoka, 416-8577 Japan
Tel: +81-545-31-2600 Fax: +81-545-31-1600
Email: info@rkco.jp



US Sales Partner

CORNES Technologies USA

780 Montague Expy. Ste. 506 San Jose, CA 95131-1319 USA
Tel: +1-408-520-4550 Fax: +1-408-520-4551
Email: rkproducts@cornestech.com