

RF POWER AMPLIFIER

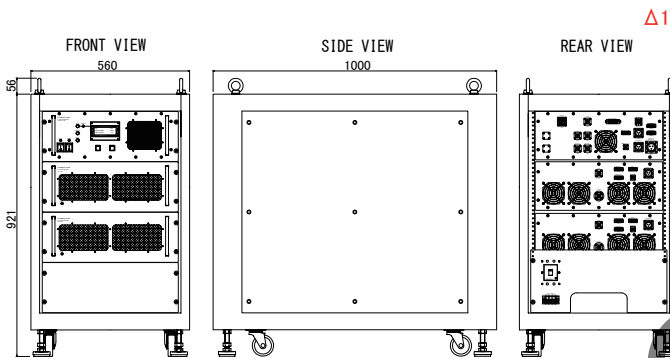


R&K-GA102M252-5454R



OUTLINE DRAWING

※IN MILLIMETERS



- Class A Linear Solid-State Amplifier
- Broadband Frequency: 1000MHz~2500MHz
- Output Power (CW) : 250W (min.) @1dB Comp.
- With Output Circulator

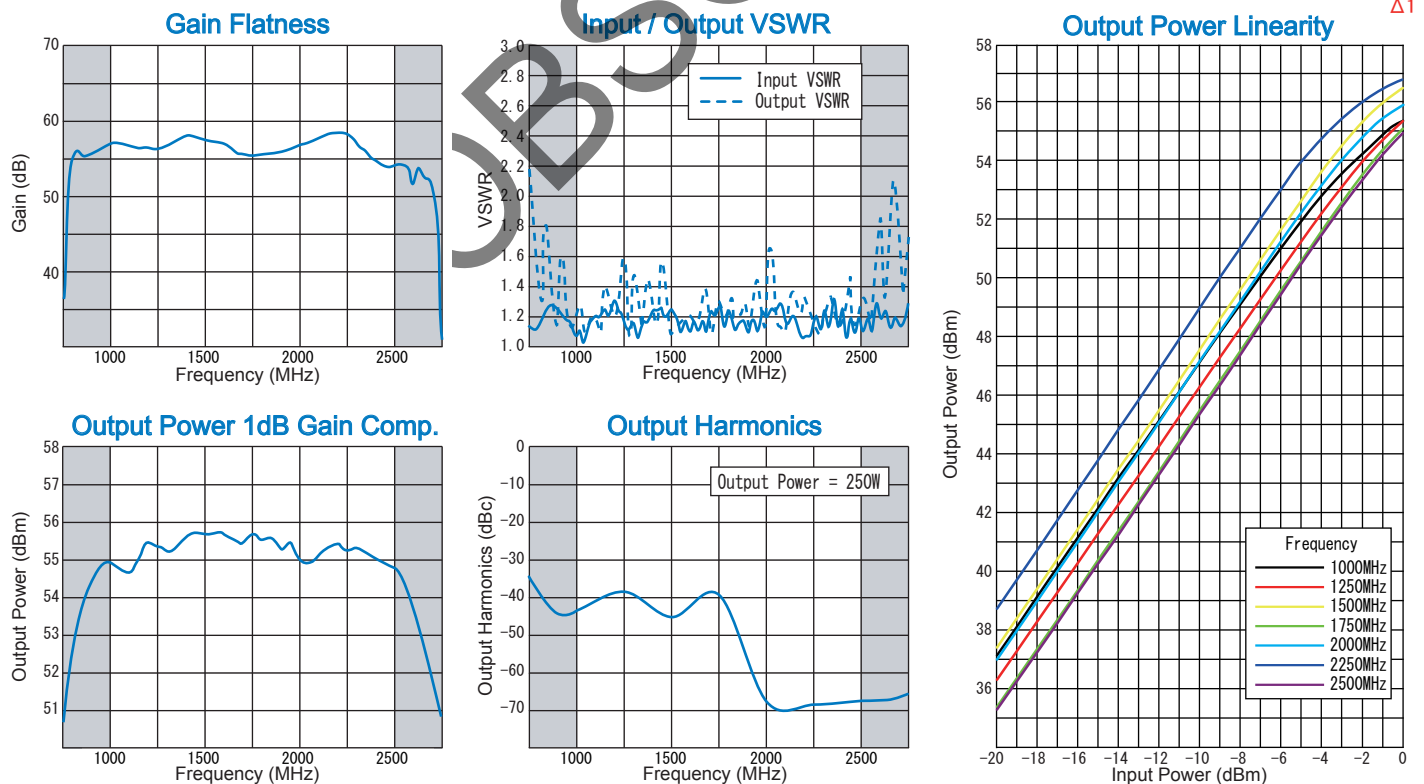
APPLICATION

- EMC(Electromagnetic Compatibility)
- Accelerator Application
- Telecommunication Test and Measurement Application
- Etc...

SPECIFICATIONS @ +25°C

| | |
|-------------------------|---|
| Frequency Range | : 1000MHz ~ 2500MHz |
| Small Signal Gain | : +54.0dB (min.) |
| Gain Flatness | : ±3.0dB (max.) |
| Output Power (CW) | : 250W (min.) @1dB Comp. |
| Operation Mode | : Class A |
| Harmonics | : -20.0dBc (max.) @Po=250W |
| Spurious | : -65.0dBc (max.) @Po=250W |
| Impedance | : 50Ω |
| Input VSWR | : 2.0 (max.) |
| Output VSWR | : 2.0 (max.) |
| Maximum RF Input Power: | 0dBm |
| AC Supply Input | : AC200V±15%/1φ, 50/60Hz, 5kVA |
| Operating Temperature | : 0°C to +35°C |
| Storage Temperature | : -15°C to +55°C |
| Connectors | : RF-IN N -FEMALE @REAR PANEL RF-OUT 7/16-FEMALE @REAR PANEL |
| Size | : (W)560mm×(D)1000mm×(H)921mm (Excluding Projection) |
| Weight | : 250.0kg (max.) |
| Cooling | : Forced Air Cooling |
| Protection Circuits | : Over Temperature Protection Power Supply Voltage Protection |
| Other Functions | : R&K Multi Monitoring System GP-IB(IEEE-488) Safety Interlock(EMERGENCY) With Output Circulator |

TYPICAL PERFORMANCE (Temp @+25°C)



* CHANGE Δ1 3/Feb./2015

R&K reserves the right to make changes in the specifications of or discontinue products at any time without notice. R&K products shall not be used for or in connection with equipment that requires an extremely high level of reliability and safety such as aerospace uses or medical life support equipment. Further, The export of R&K products from Japan may be subject to an export license by the government of Japan, based on Japan's "Foreign Exchange and Foreign Trade Law".

R&K Company Limited

721-1 Maeda, Fuji-City, Shizuoka-Pref. 416-8577 Japan
Tel : +81-545-31-2600 E-mail : info@rkco.jp
Fax : +81-545-31-1600 URL : http://rk-microwave.com