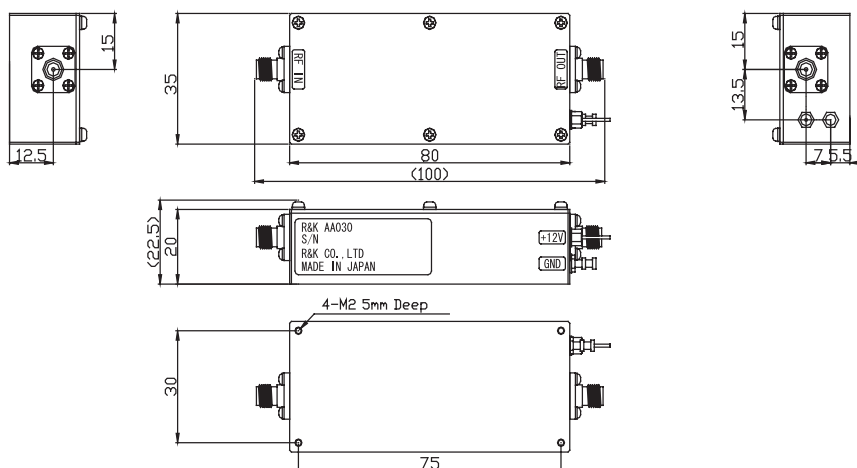
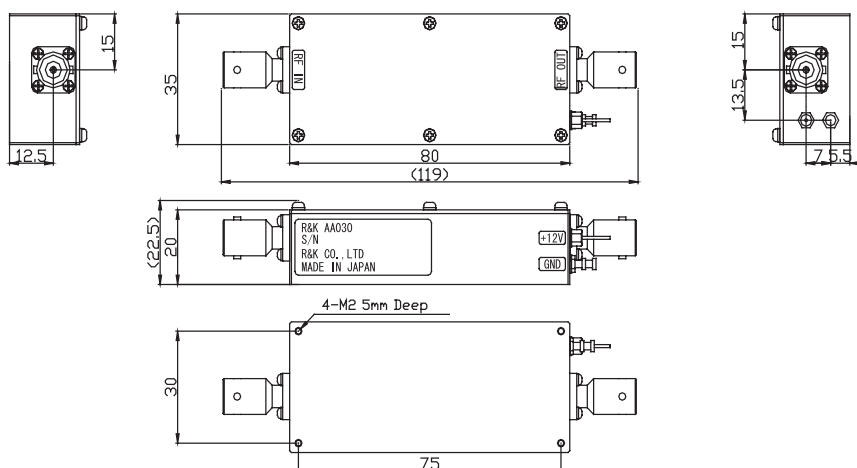


OUTLINE DRAWINGS for The AA Series

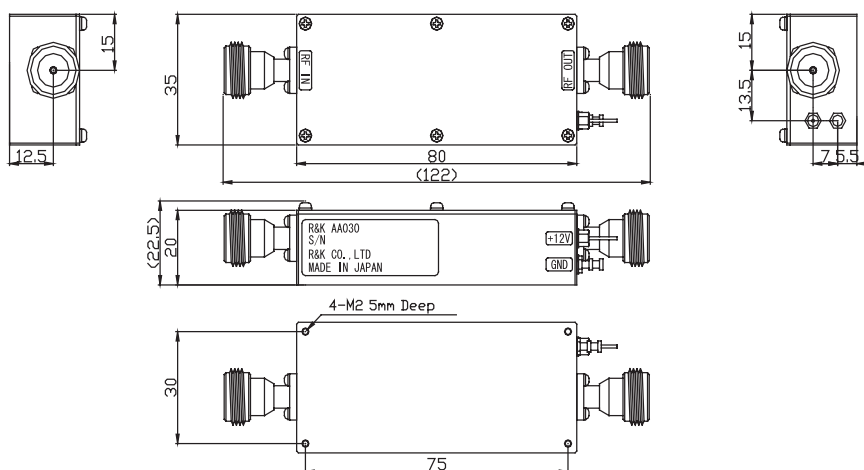
AA030-0S / AA040-0S / AA070-0S / AA080-0S
(Standard / SMA-FEMALE)



AA030-0B / AA040-0B / AA070-0B / AA080-0B
(Option / BNC-FEMALE)



AA030-0N / AA040-0N / AA070-0N / AA080-0N
(Option / N-FEMALE)



※ IN MILLIMETERS

NOTE: Specifications subject to change without notice.

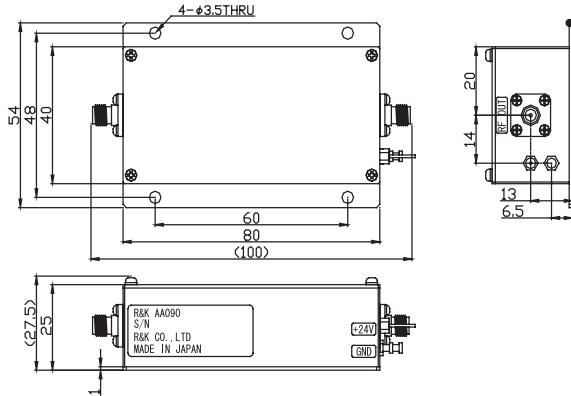
R&K reserves the right to make changes in the specifications of or discontinue products at any time without notice. R&K products shall not be used for or in connection with equipment that requires an extremely high level of reliability and safety such as aerospace uses or medical life support equipment. Further, The export of R&K products from Japan may be subject to an export license by the government of Japan, based on Japan's "Foreign Exchange and Foreign Trade Law".

R&K Company Limited

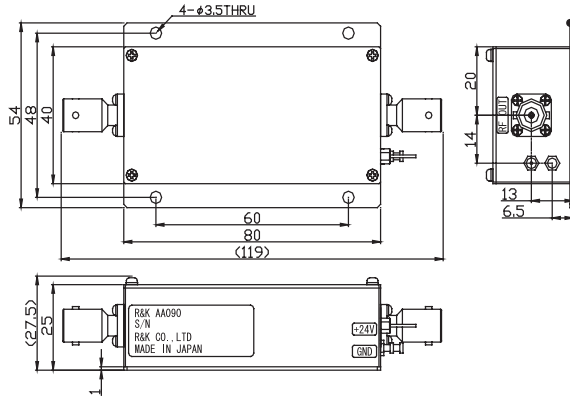
721-1 Maeda, Fuji-City, Shizuoka-Pref. 416-8577 Japan
Tel : +81-545-31-2600 E-mail : info@rkco.jp
Fax : +81-545-31-1600 URL : http://rk-microwave.com

OUTLINE DRAWINGS for The AA Series

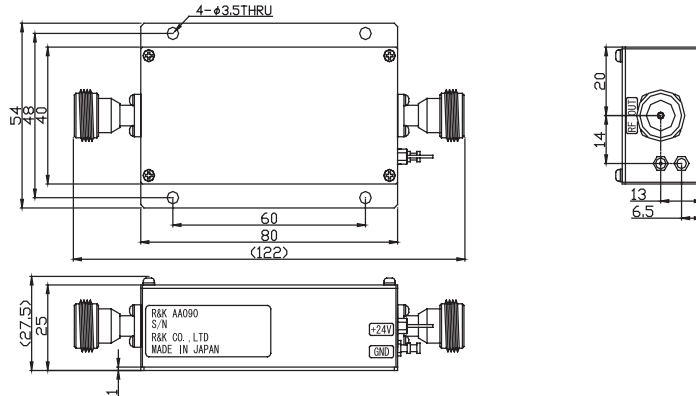
AA120-0S / AA130-0S / AA140-0S
(Standard / SMA-FEMALE)



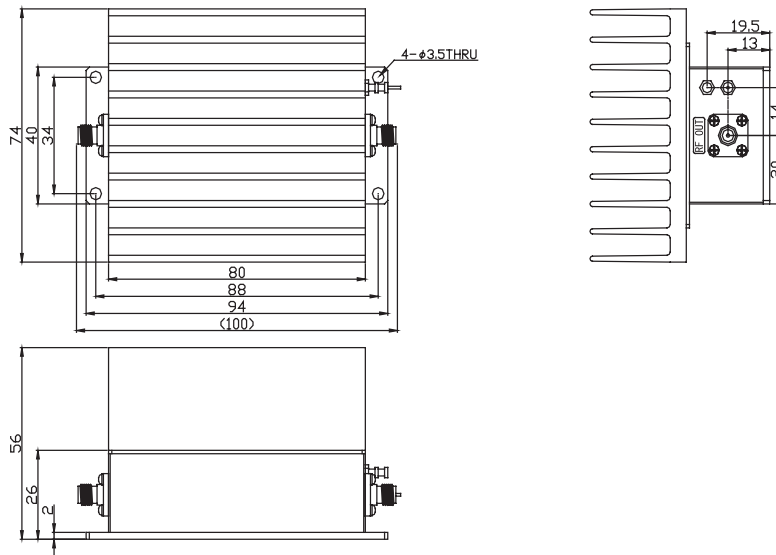
AA120-0B / AA130-0B / AA140-0B
(Option / BNC-FEMALE)



AA120-0N / AA130-0N / AA140-0N
(Option / N-FEMALE)



AA120-1S / AA130-1S / AA140-1S
(Standard / SMA-FEMALE)
(Option / Heat Sink)



※IN MILLIMETERS

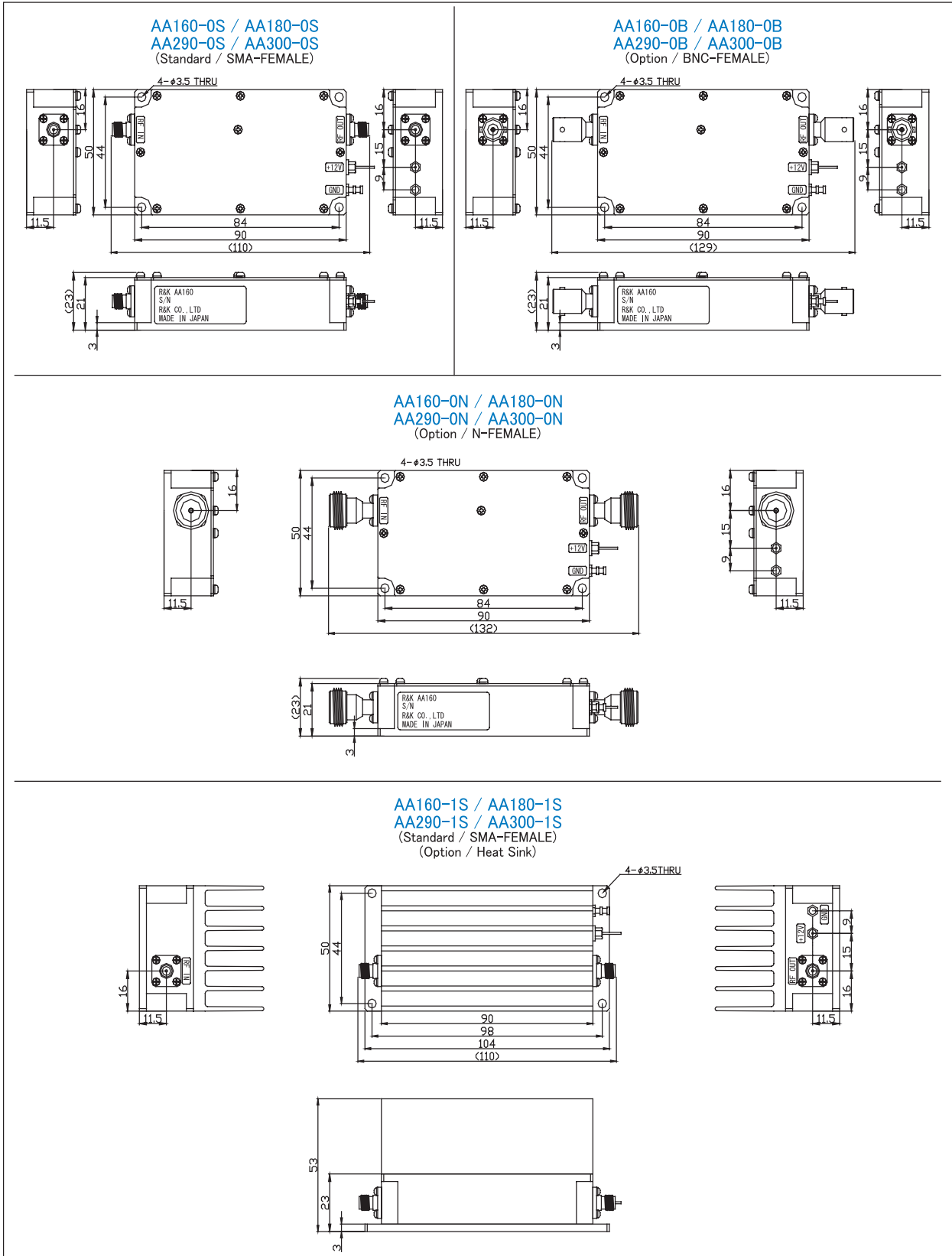
NOTE: Specifications subject to change without notice.

R&K reserves the right to make changes in the specifications of or discontinue products at any time without notice. R&K products shall not be used for or in connection with equipment that requires an extremely high level of reliability and safety such as aerospace uses or medical life support equipment. Further, The export of R&K products from Japan may be subject to an export license by the government of Japan, based on Japan's "Foreign Exchange and Foreign Trade Law".

R&K Company Limited

721-1 Maeda, Fuji-City, Shizuoka-Pref. 416-8577 Japan
Tel: +81-545-31-2600 E-mail: info@rkco.jp
Fax: +81-545-31-1600 URL: http://rk-microwave.com

OUTLINE DRAWINGS for The AA Series



※IN MILLIMETERS

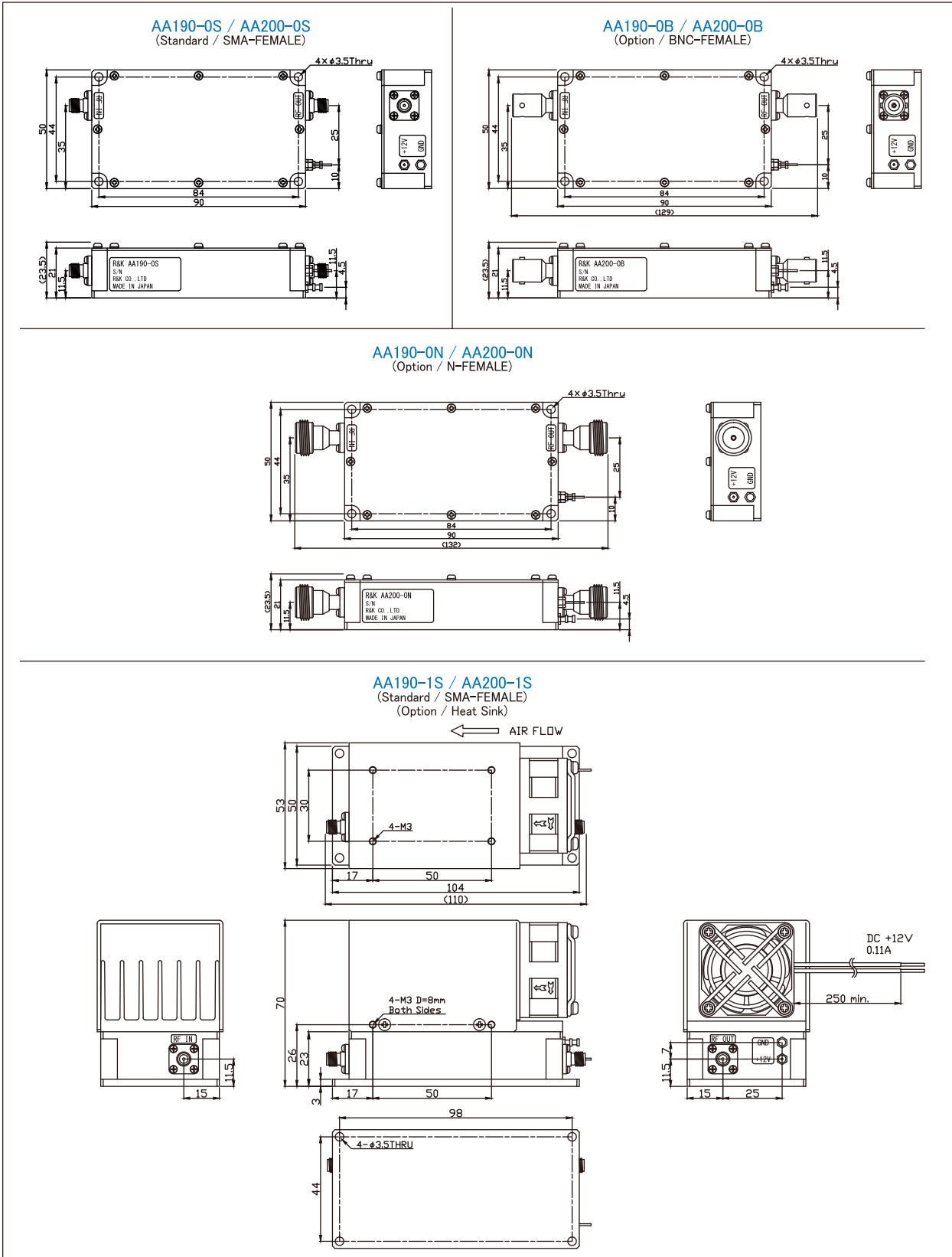
NOTE: Specifications subject to change without notice.

R&K reserves the right to make changes in the specifications of or discontinue products at any time without notice. R&K products shall not be used for or in connection with equipment that requires an extremely high level of reliability and safety such as aerospace uses or medical life support equipment. Further, The export of R&K products from Japan may be subject to an export license by the government of Japan, based on Japan's "Foreign Exchange and Foreign Trade Law".

R&K Company Limited

721-1 Maeda, Fuji-City, Shizuoka-Pref. 416-8577 Japan
 Tel: +81-545-31-2600 E-mail: info@rkco.jp
 Fax: +81-545-31-1600 URL: http://rk-microwave.com

OUTLINE DRAWINGS for The AA Series



■ Revision history

Ver.2.0 : 1/Apr./2020 Outline drawing change.

※ IN MILLIMETERS

NOTE: Specifications subject to change without notice.

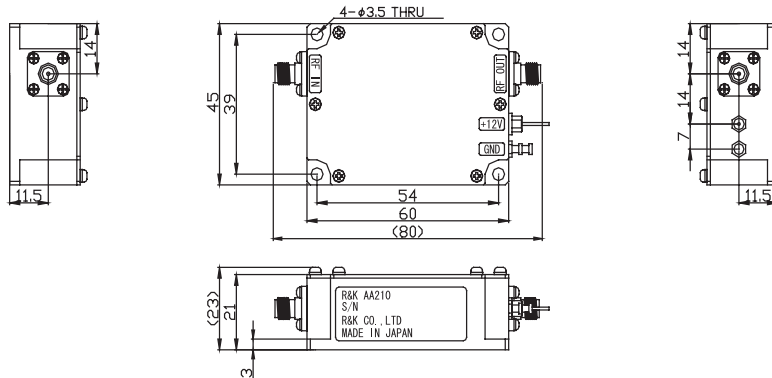
R&K reserves the right to make changes in the specifications of or discontinue products at any time without notice. R&K products shall not be used for or in connection with equipment that requires an extremely high level of reliability and safety such as aerospace uses or medical life support equipment. Further, the export of R&K products from Japan may be subject to an export license by the government of Japan, based on Japan's "Foreign Exchange and Foreign Trade Law".

R&K Company Limited

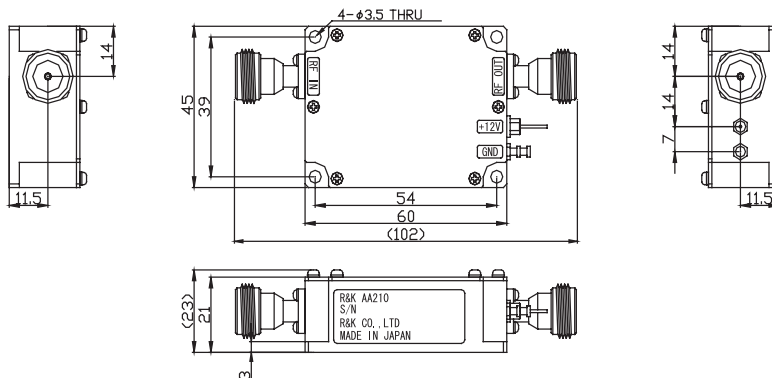
721-1 Maeda, Fuji-City, Shizuoka-Pref. 416-8577 Japan
 Tel : +81-545-31-2600 E-mail : info@rkco.jp
 Fax : +81-545-31-1600 URL : http://rk-microwave.com

OUTLINE DRAWINGS for The AA Series

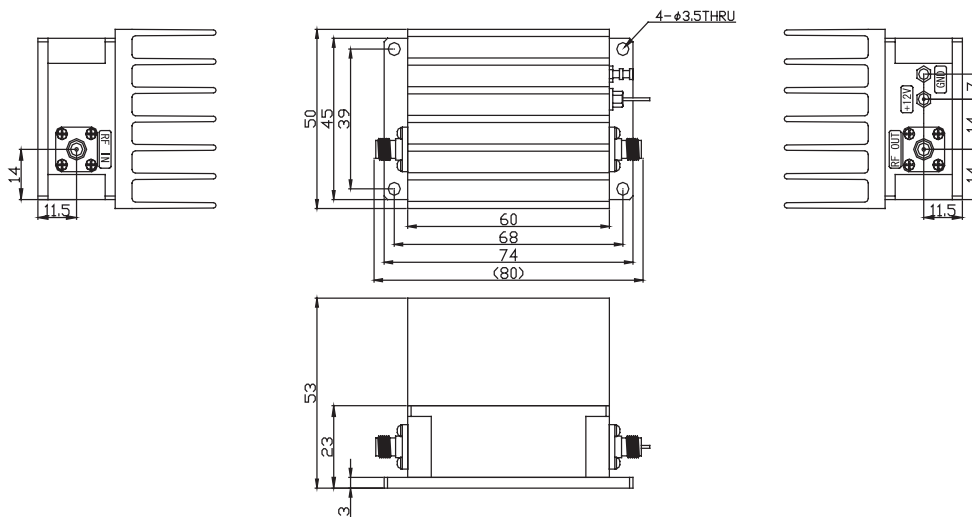
AA250-0S / AA260-0S
(Standard / SMA-FEMALE)



AA250-0N / AA260-0N
(Option / N-FEMALE)



AA250-1S / AA260-1S
(Standard / SMA-FEMALE)
(Option / Heat Sink)



※ IN MILLIMETERS

NOTE: Specifications subject to change without notice.

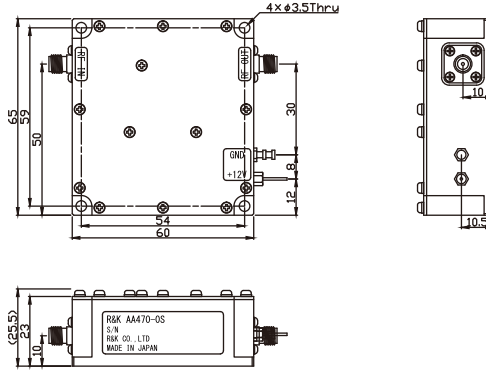
R&K reserves the right to make changes in the specifications of or discontinue products at any time without notice. R&K products shall not be used for or in connection with equipment that requires an extremely high level of reliability and safety such as aerospace uses or medical life support equipment. Further, The export of R&K products from Japan may be subject to an export license by the government of Japan, based on Japan's "Foreign Exchange and Foreign Trade Law".

R&K Company Limited

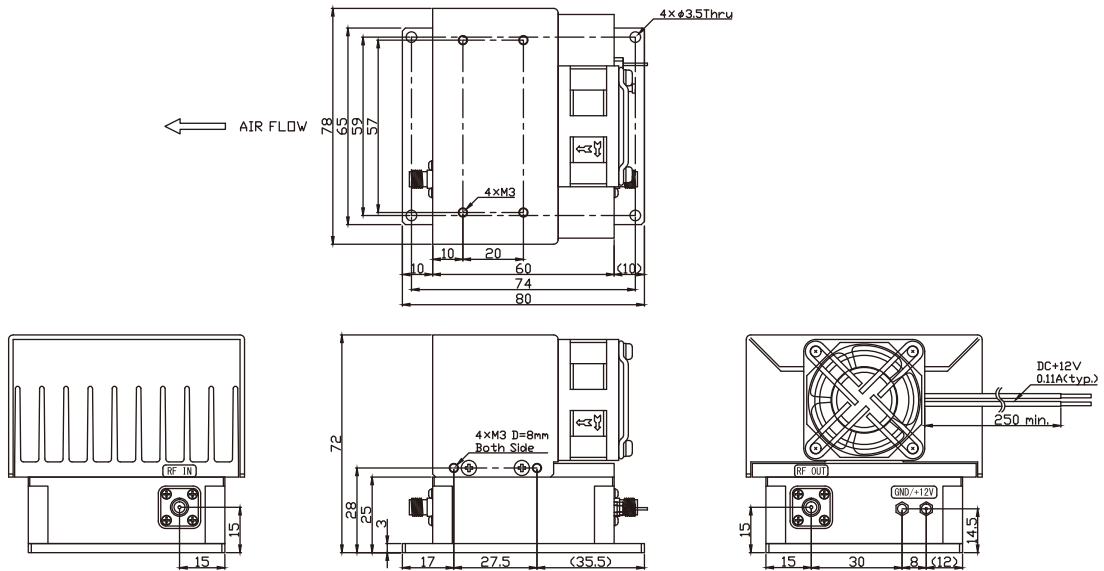
721-1 Maeda, Fuji-City, Shizuoka-Pref. 416-8577 Japan
Tel: +81-545-31-2600 E-mail: info@rkco.jp
Fax: +81-545-31-1600 URL: http://rk-microwave.com

OUTLINE DRAWINGS for The AA Series

AA470-0S / AA480-0S
(Standard / SMA-FEMALE)



AA470-1S / AA480-1S
(Standard / SMA-FEMALE)
(Option / Heat Sink)



■ Revision history

Ver.2.0 : 17/Aug./2022 Outline drawing change.

※ IN MILLIMETERS

NOTE: Specifications subject to change without notice.

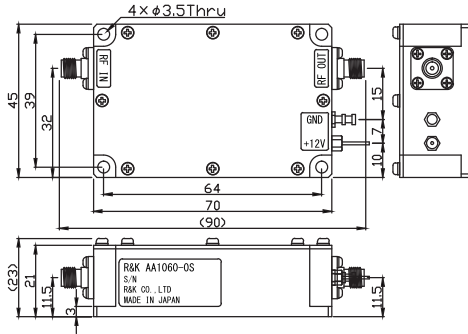
R&K reserves the right to make changes in the specifications of or discontinue products at any time without notice. R&K products shall not be used for or in connection with equipment that requires an extremely high level of reliability and safety such as aerospace uses or medical life support equipment. Further, The export of R&K products from Japan may be subject to an export license by the government of Japan, based on Japan's "Foreign Exchange and Foreign Trade Law".

R&K Company Limited

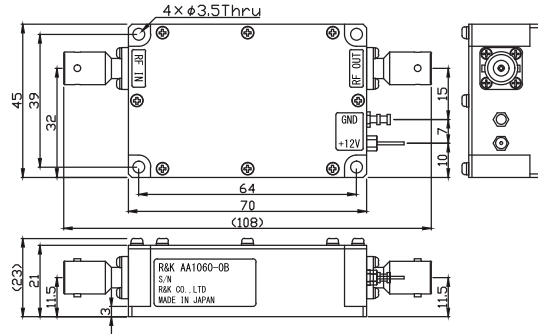
721-1 Maeda, Fuji-City, Shizuoka-Pref. 416-8577 Japan
Tel : +81-545-31-2600 E-mail : info@rkco.jp
Fax : +81-545-31-1600 URL : http://rk-microwave.com

OUTLINE DRAWINGS for The AA Series

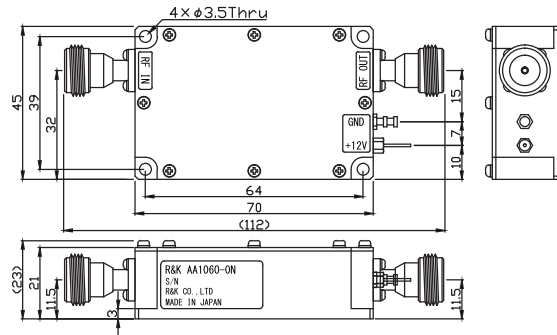
AA1060-0S / AA1080-0S
(Standard / SMA-FEMALE)



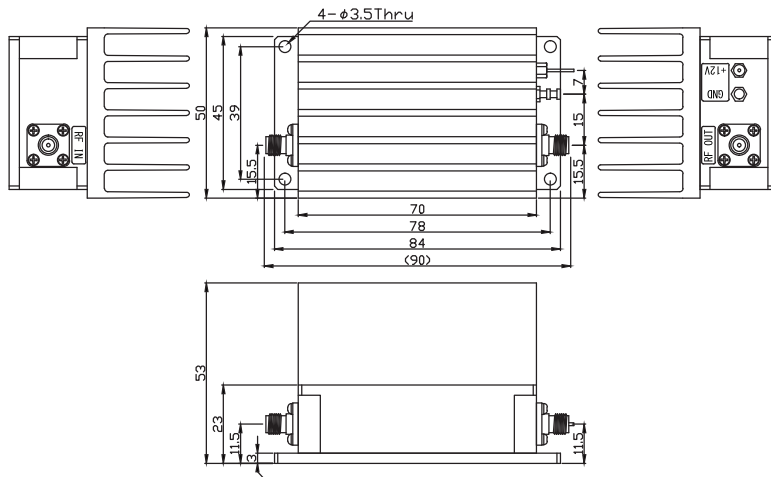
AA1060-0B / AA1080-0B
(Option / BNC-FEMALE)



AA1060-0N / AA1080-0N
(Option / N-FEMALE)



AA1060-1S / AA1080-1S
(Standard / SMA-FEMALE)
(Option / Heat Sink)



※ IN MILLIMETERS

NOTE: Specifications subject to change without notice.

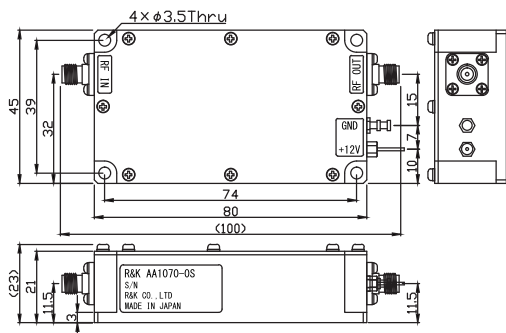
R&K reserves the right to make changes in the specifications of or discontinue products at any time without notice. R&K products shall not be used for or in connection with equipment that requires an extremely high level of reliability and safety such as aerospace uses or medical life support equipment. Further, The export of R&K products from Japan may be subject to an export license by the government of Japan, based on Japan's "Foreign Exchange and Foreign Trade Law".

R&K Company Limited

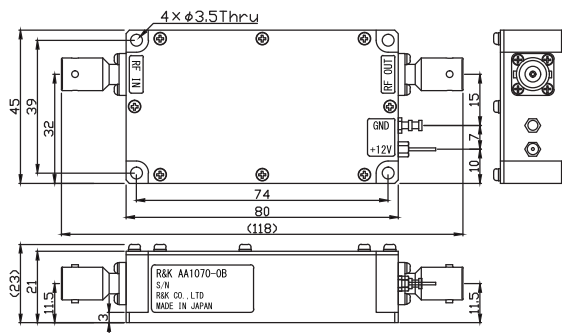
721-1 Maeda, Fuji-City, Shizuoka-Pref. 416-8577 Japan
Tel : +81-545-31-2600 E-mail : info@rkco.jp
Fax : +81-545-31-1600 URL : http://rk-microwave.com

OUTLINE DRAWINGS for The AA Series

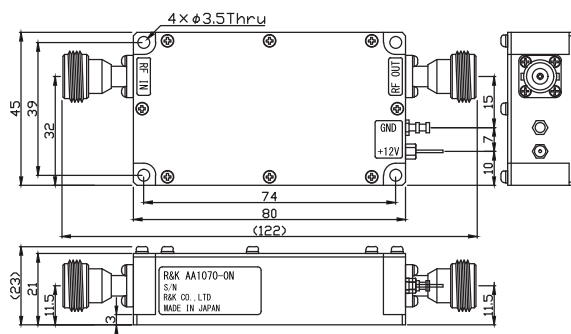
AA1070-0S / AA1090-0S
(Standard / SMA-FEMALE)



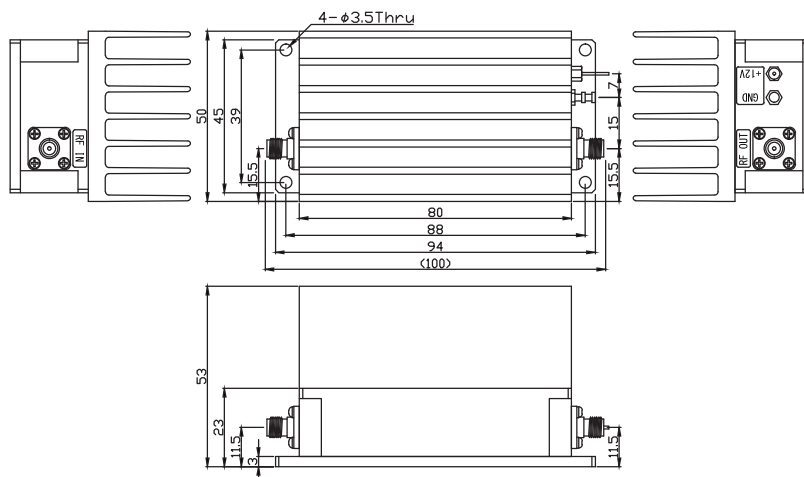
AA1070-0B / AA1090-0B
(Option / BNC-FEMALE)



AA1070-0N / AA1090-0N
(Option / N-FEMALE)



AA1070-1S / AA1090-1S
(Standard / SMA-FEMALE)
(Option / Heat Sink)



※IN MILLIMETERS

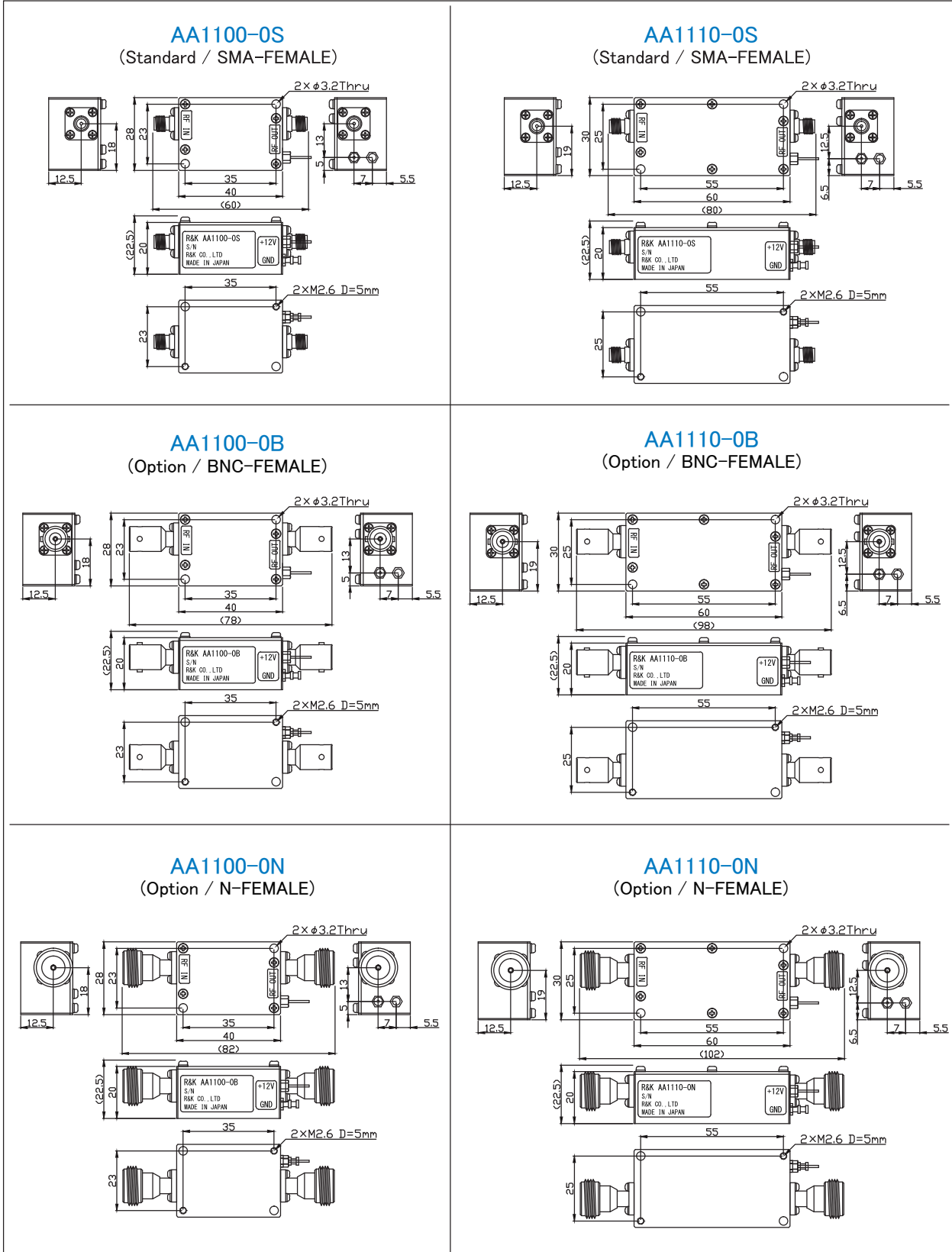
NOTE: Specifications subject to change without notice.

R&K reserves the right to make changes in the specifications of or discontinue products at any time without notice. R&K products shall not be used for or in connection with equipment that requires an extremely high level of reliability and safety such as aerospace uses or medical life support equipment. Further, The export of R&K products from Japan may be subject to an export license by the government of Japan, based on Japan's "Foreign Exchange and Foreign Trade Law".

R&K Company Limited

721-1 Maeda, Fuji-City, Shizuoka-Pref. 416-8577 Japan
Tel: +81-545-31-2600 E-mail: info@rkco.jp
Fax: +81-545-31-1600 URL: http://rk-microwave.com

OUTLINE DRAWINGS for The AA Series



※ IN MILLIMETERS

NOTE: Specifications subject to change without notice.

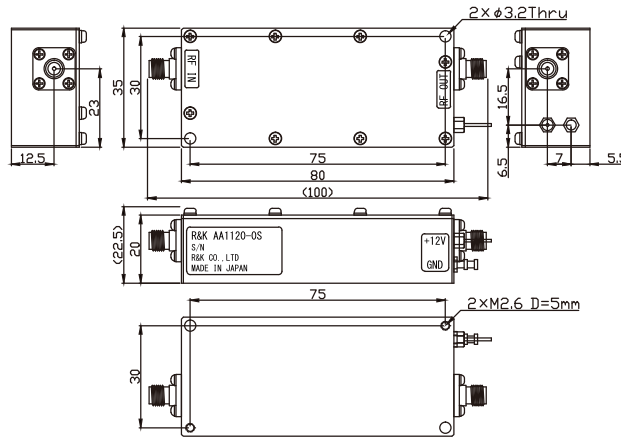
R&K reserves the right to make changes in the specifications of or discontinue products at any time without notice. R&K products shall not be used for or in connection with equipment that requires an extremely high level of reliability and safety such as aerospace uses or medical life support equipment. Further, The export of R&K products from Japan may be subject to an export license by the government of Japan, based on Japan's "Foreign Exchange and Foreign Trade Law".

R&K Company Limited

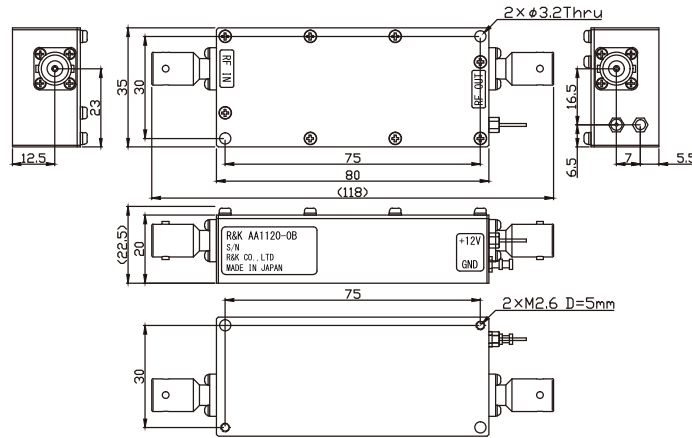
721-1 Maeda, Fuji-City, Shizuoka-Pref. 416-8577 Japan
 Tel : +81-545-31-2600 E-mail : info@rkco.jp
 Fax : +81-545-31-1600 URL : http://rk-microwave.com

OUTLINE DRAWINGS for The AA Series

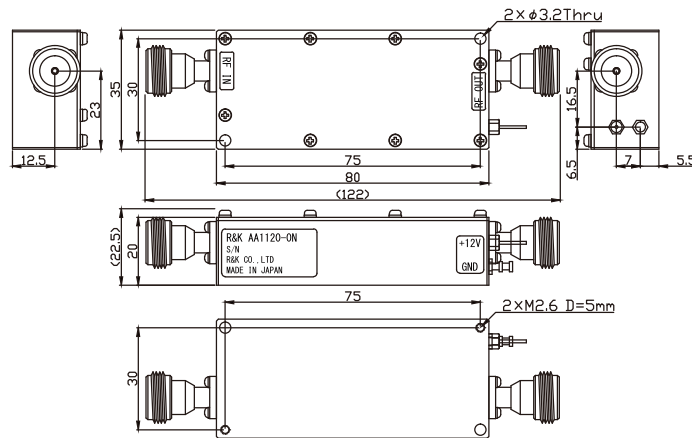
AA1120-0S / AA1130-0S
(Standard / SMA-FEMALE)



AA1120-0B / AA1130-0B
(Option / BNC-FEMALE)



AA1120-0N / AA1130-0N
(Option / N-FEMALE)



※IN MILLIMETERS

NOTE: Specifications subject to change without notice.

R&K reserves the right to make changes in the specifications of or discontinue products at any time without notice. R&K products shall not be used for or in connection with equipment that requires an extremely high level of reliability and safety such as aerospace uses or medical life support equipment. Further, The export of R&K products from Japan may be subject to an export license by the government of Japan, based on Japan's "Foreign Exchange and Foreign Trade Law".

R&K Company Limited

721-1 Maeda, Fuji-City, Shizuoka-Pref. 416-8577 Japan
Tel: +81-545-31-2600 E-mail: info@rkco.jp
Fax: +81-545-31-1600 URL: http://rk-microwave.com